

Spare part's book **2012**

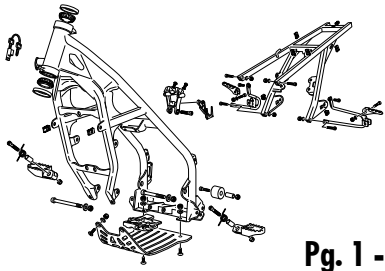
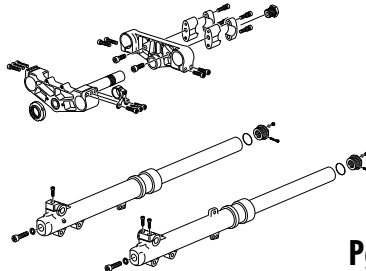
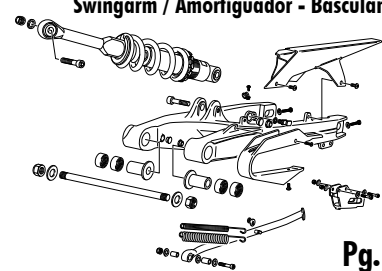
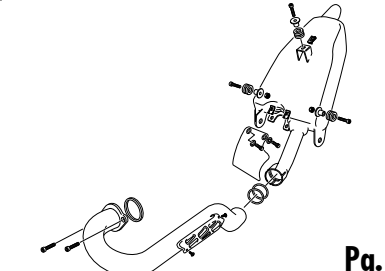
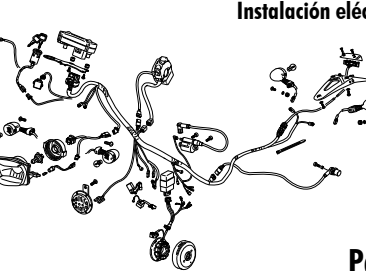
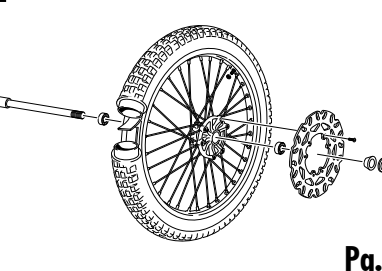
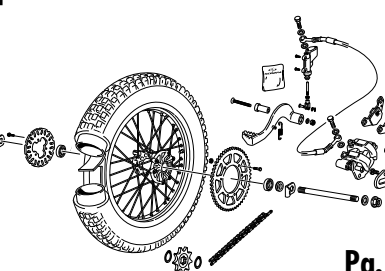
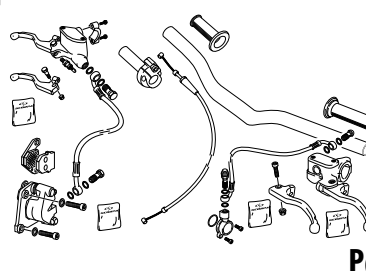
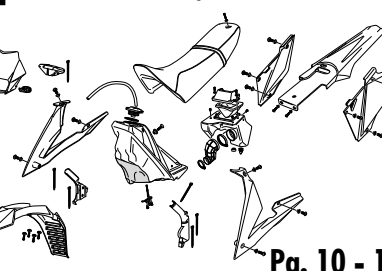
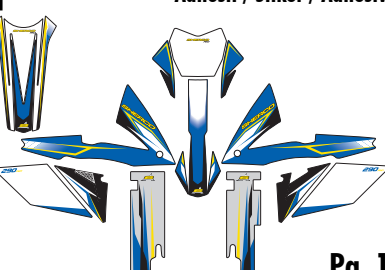
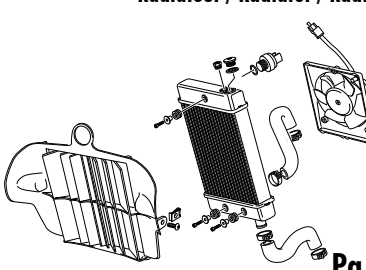
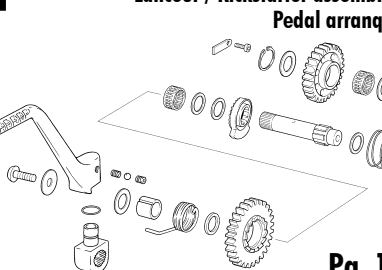
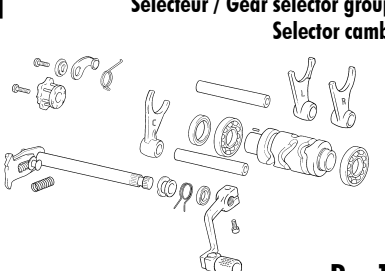
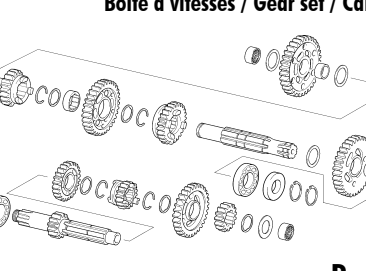
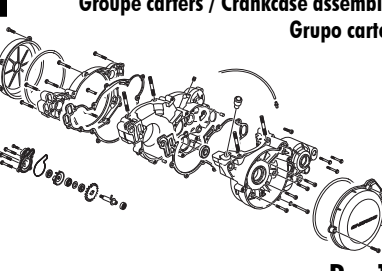
1.25 2.9

X-RIDE



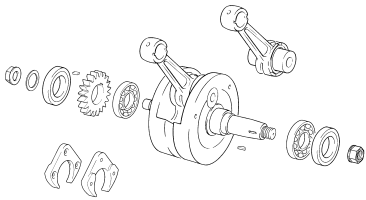
SHERCO
Motorcycles

Index / Index / Índice

<p>1 Cadre / Frame / Chasis</p>  <p>Pg. 1 - 2</p>	<p>2 Fourche / Fork / Horquilla</p>  <p>Pg. 3</p>	<p>3 Amortisseur - Bras oscillant / Rear Shock - Swingarm / Amortiguador - Basculante</p>  <p>Pg. 4</p>
<p>4 Echappement / Exhaust / Escape</p>  <p>Pg. 5</p>	<p>5 Faisceau électrique / Electrical system / Instalación eléctrica</p>  <p>Pg. 6</p>	<p>6 Roue avant / Front wheel / Rueda delantera</p>  <p>Pg. 7</p>
<p>7 Roue arriere / Rear wheel / Rueda trasera</p>  <p>Pg. 8</p>	<p>8 Guidon / Handlebar / Manillar</p>  <p>Pg. 9</p>	<p>9 Plastiques / Plastics / Plásticos</p>  <p>Pg. 10 - 11</p>
<p>10 Adhesif / Stiker / Adhesivos</p>  <p>Pg. 12</p>	<p>11 Radiateur / Radiator / Radiador</p>  <p>Pg. 13</p>	<p>12 Lanceur / Kickstarter assembly / Pedal arranque</p>  <p>Pg. 14</p>
<p>13 Selecteur / Gear selector group / Selector cambio</p>  <p>Pg. 15</p>	<p>14 Boite a vitesses / Gear set / Cambio</p>  <p>Pg. 16</p>	<p>15 Groupe carters / Crankcase assembly / Grupo carters</p>  <p>Pg. 17</p>

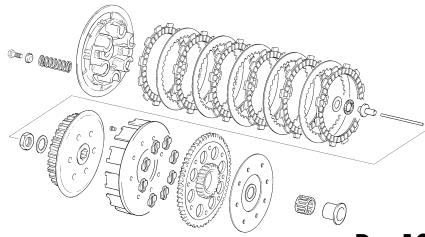
Index / Index / Índice

16 Villebrequin assemble / Crankshaft assembly / Cigüeñal biela



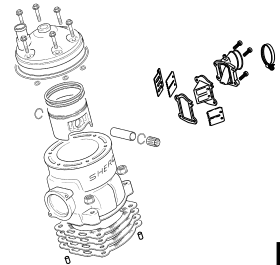
Pg. 18

17 Embrayage / Clutch / Embrague



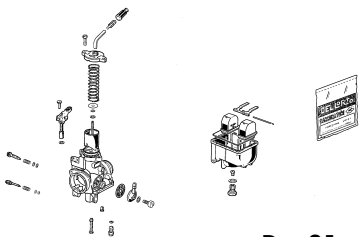
Pg. 19

18 Cylindre / Cylinder / Cilindro



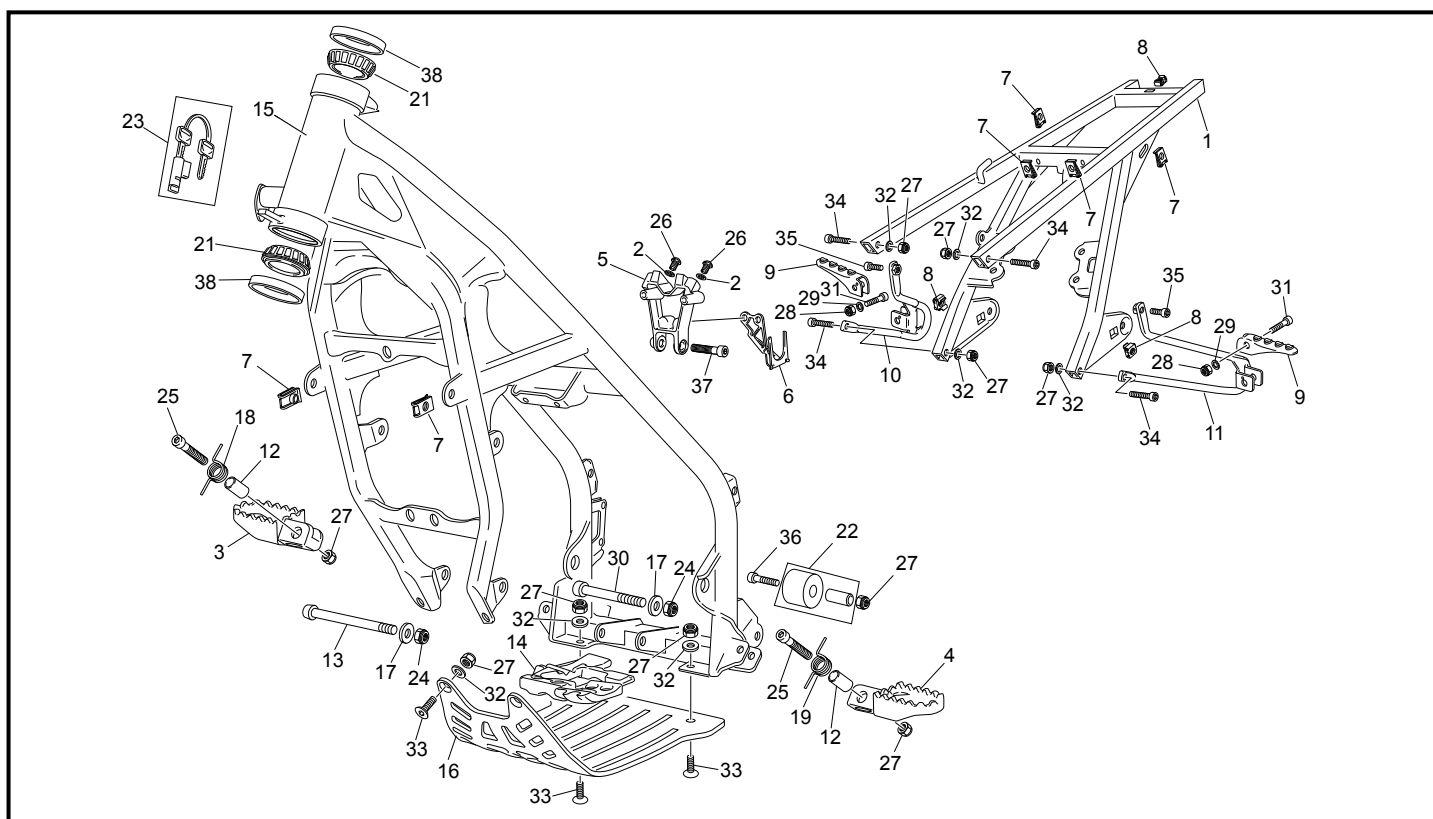
Pg. 20

19 Carburateur / Carburetor / Carburador Ø26



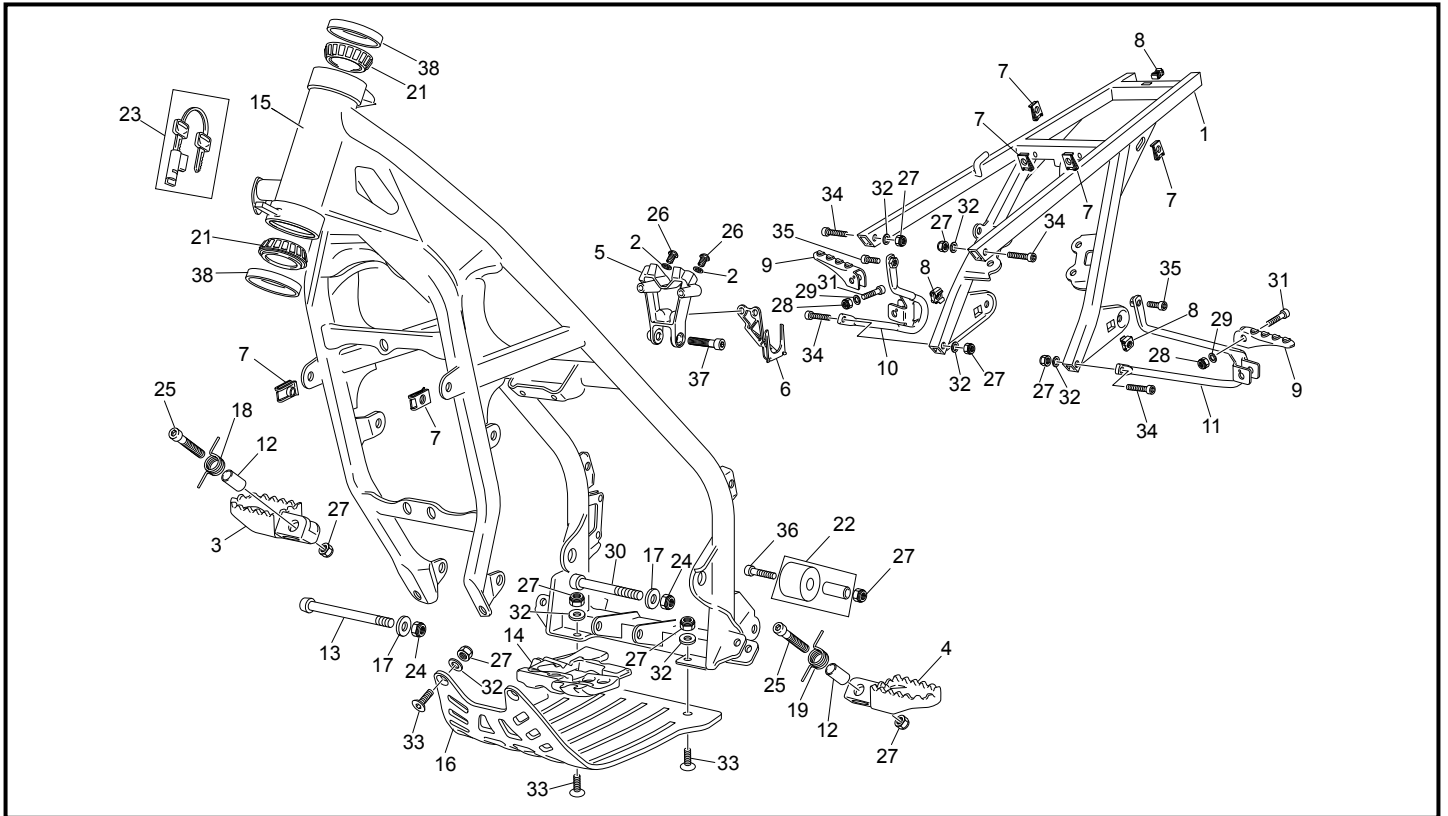
Pg. 21 - 22

Cadre / Frame / Chasis

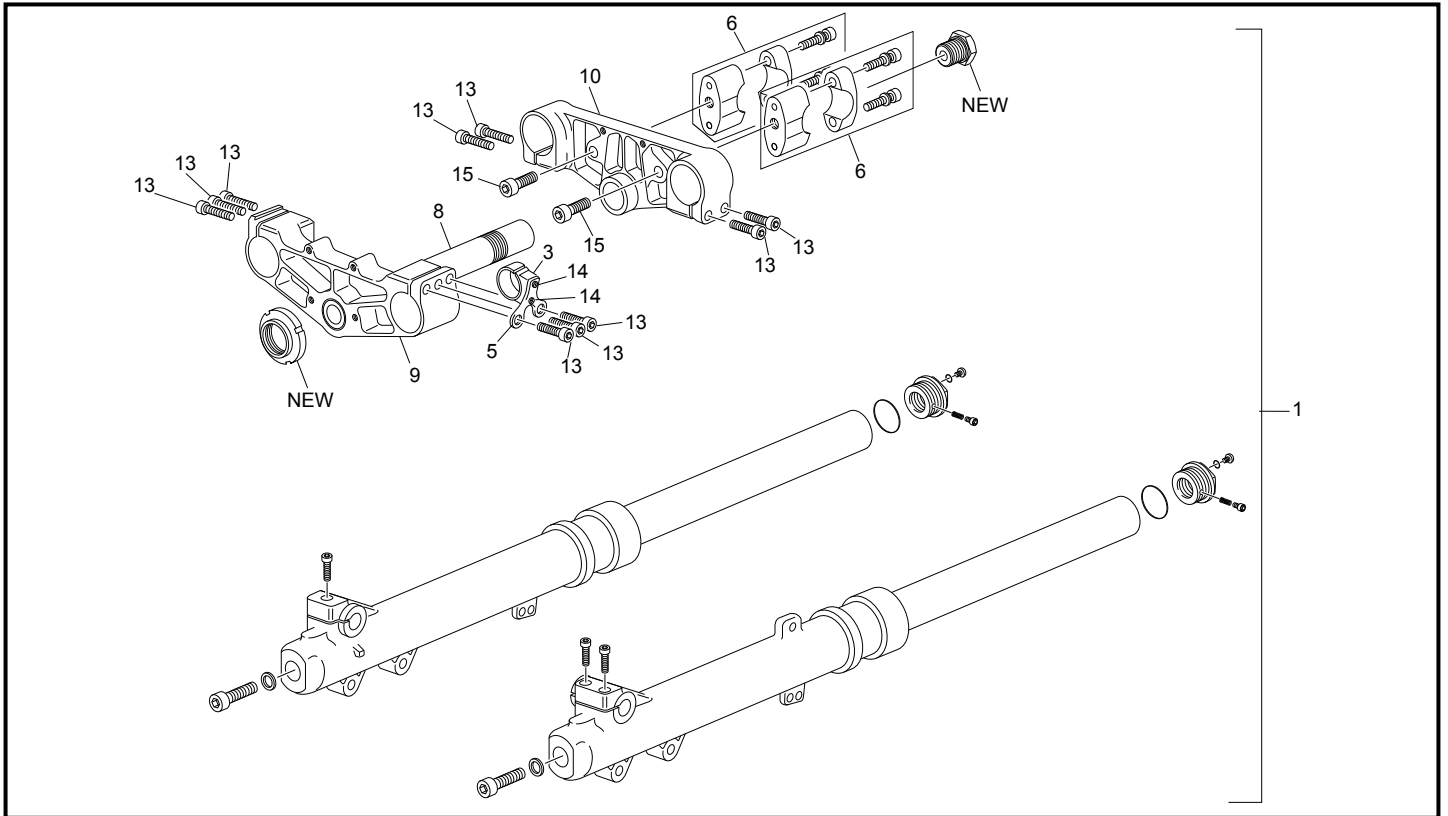


POS.	1.2	2.9	FRANÇAIS	ENGLISH	ESPAÑOL
1	2414	2414	BOUCLE AR NOIRE TRIDE 2008	REAR BLACK SUB FRAME TRIDE 2008	SOPORTE CHASIS NEGRO TRIDE 2008
2	1432	1432	RONDELLE AET 8	WASHER X AET 8	ARANDELA AET 8
3	2015	2015	REPOSE PIED DROITE 09 TR	RIGHT FOOTPEG 09 TR	ESTRIBERA DERECHA 09 TR
4	2016	2016	REPOSE PIED GAUCHE 09 TR	LEFT FOOTPEG 09 TR	ESTRIBERA IZQUIERDA 09 TR
5	2251	2251	PATE FIXATION CYLINDRE 2.5/2.9 2010	CLINDER SUPPORT 2.5/2.9 2010	TIRANTE CILINDRO 2.5/2.9 2010
6	4482	4482	SUPPORT CDI T-RIDE 2012	HOLDER CDI T-RIDE 2012	SOPORTE CDI T-RIDE 2012
7	M308	M308	ECROU CLIP M6 0500500400	NUT CLIP M6	TUERCA CLIP M6
8	4368	4368	ECROU ENCAGE M6	NUT M6 SPECIAL	TUERCA ENJALADA M6
9	2706	2706	REPOSE PIEDS PASSAGER TRIDE	PASANGER FOOTPEG	ESTRIBERA PASAJEROS
10	2716	2716	SUP. REPOSE PIED PASS. DROIT T/X RIDE	FODPEGS PASA. SUP. RIGH T/X RIDE	SOP. ESTRIBO PASAJERO DER. T/X RIDE
11	2717	2717	SUP. REPO. PIED PASS. GAUCHE T/X RIDE	FODPEGS PASANGER SUP. LEFT T/X RIDE	SOP. ESTRIBO PASAJERO IZQ. T/X RIDE
12	2867	2867	ENTRETOISE REPOSE PIED LONG 2010	SPACER FOOT PEG LONG 2010	CASQUILLO ESTRIBERA LARGO 2010
13	M296	M296	AXE MOTEUR AV	FRONT PIN ENGINE	TORNILLO MOTOR
14	3155	3155	CAOUTCHOUC MOTEUR 2011	BASH PLATE RUBBER 2011	CAUCHO PLACA MOTOR 2011
15	4183	4183	CADRE TRIDE 2T	FRAME TRIDE 2T	BASTIDOR TRIDE 2T
16	4270	4270	SABOT T/X RIDE	BASH PLATE T/X RIDE	PROTECTOR CARTERS T/X RIDE
17	M315	M315	RONDELLE X 10 1405 010	WASHER X 10	ARANDELA X 10 DIN 125 A
18	C008	C008	RESSORT REPOSE PIED DROITE	RIGHT FOOTPEG SPRING	MUELLE ESTRIBERA DERECHA
19	C012	C012	RESSORT DE REPOSE PIED GAUCHE	LEFT FOOT PEG SPRING	MUELLE ESTRIBERA IZQUIERDA
21	H006	H006	RLT COLONNE 32005	STEERING MAIN BEARING 32005	COJINETE DIRECCION 32005
22	H069	H069	ROULETTE CHAINE PETITE	SMALL CHAIN ROLLER	PATIN RODAM. CADENA PEQUEÑA
23	H173	H173	ANTIVOL DIRECTION END 50	STEERING LOCK ENDURO 50	ANTIROBO DIRECCION END 50
24	M304	M304	ECROU NYLSTOP M10 0368.10	NUT NYLSTOP M10	TUERCA NYLSTOP M10
25	M264	M264	VIS CHC 8 X 45 0084	SCREW CHC 8 X 45	TORNILLO 8 X 45 ALLEN
26	M281	M281	VIS BHC 8 X 12 1093	SCREW BHC 8 X 12	TORNILLO 8 X 12 ULS
27	M305	M305	ECROU NYLSTOP M8 0368.8	NUT NYLSTOP M8	TUERCA NYLSTOP M8
28	M306	M306	ECROU NYLSTOP M6 0368.6	NUT NYLSTOP M6	TUERCA NYLSTOP M6
29	M317	M317	RONDELLE 6 X12 0407 6	WASHER X 6	ARANDELA 6 DIN 125 A
30	1323	1323	VIS CHC M10 X 85	SCREW CHC M10 X 85	TORNILLO CHC M10 X 85
31	M343	M343	VIS BHC 6 X 35 1093	SCREW BHC 6 X 35 1093	TORNILLO BHC 6 X 35 1093
32	M316	M316	RONDELLE X 8 1405 08	WASHER X 8	ARANDELA 8 DIN 125 A
33	M301	M301	VIS FHC 8 X 20 1089	SCREW FHC 8 X 20	TORNILLO AVELLANADO M 8 X 20
34	1028	1028	VIS BHC M8 X 35	SCREW BHC M8 X 35	TORNILLO BHC M8 X 35
35	C413	C413	VIS CHC 8 X 16	SCREW CHC 8 X 16	TORNILLO CHC 8 X 16

Cadre / Frame / Chasis

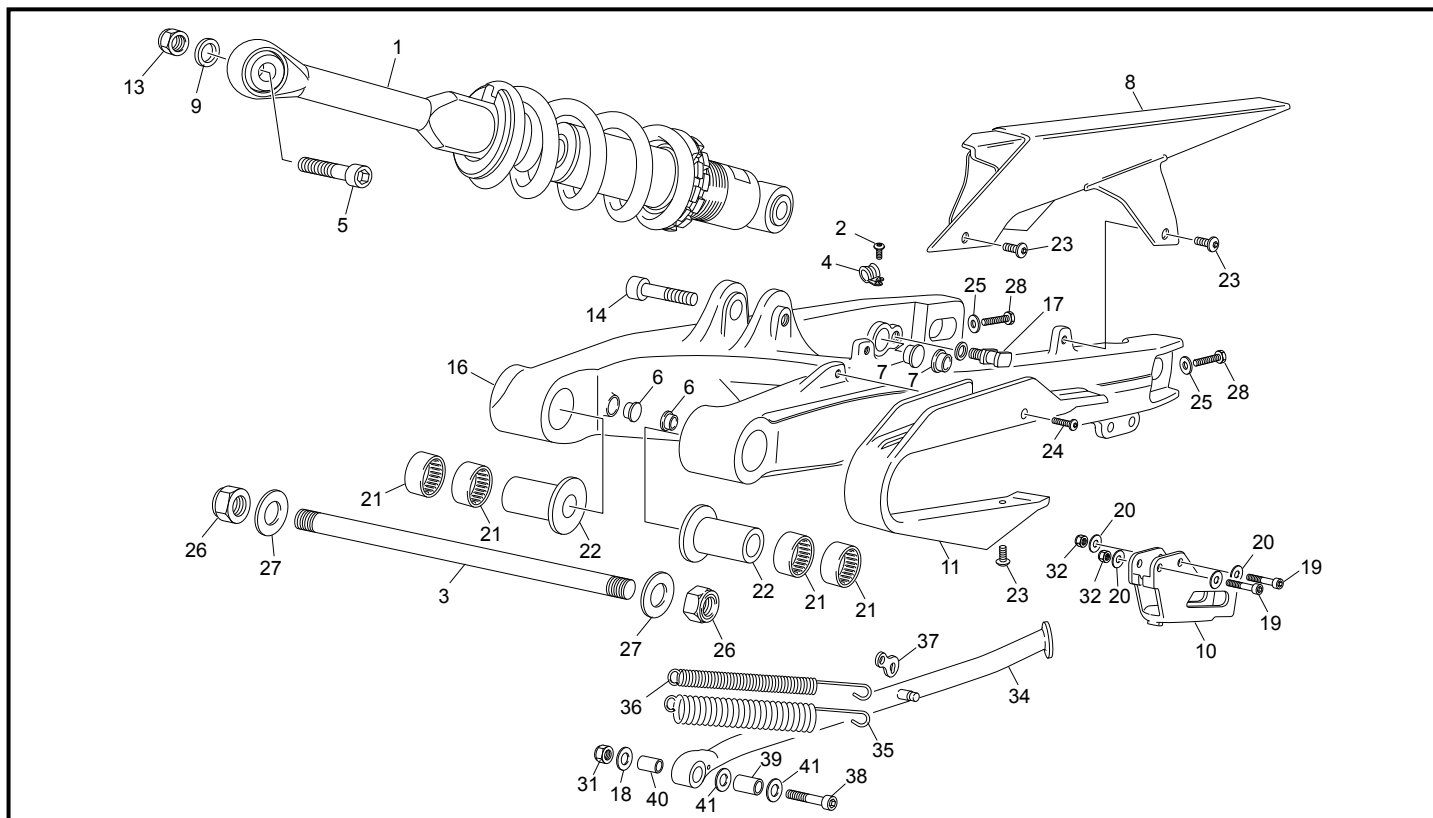


POS.	1.2	2.9	FRANÇAIS	ENGLISH	ESPAÑOL
36	M264	M264	VIS CHC 8 X 45 0084	SCREW CHC 8 X 45	TORNILLO 8 X 45 ALLEN
37	M263	M263	VIS CHC 8 X 40 0084	SCREW CHC 8 X 40	TORNILLO 8 X 40 ALLEN
38	1051	1051	ANNEAU D'ETANCHEITE NYLOS	NYLON RING	JUNTA NYLON

Fourche / Fork / Horquilla


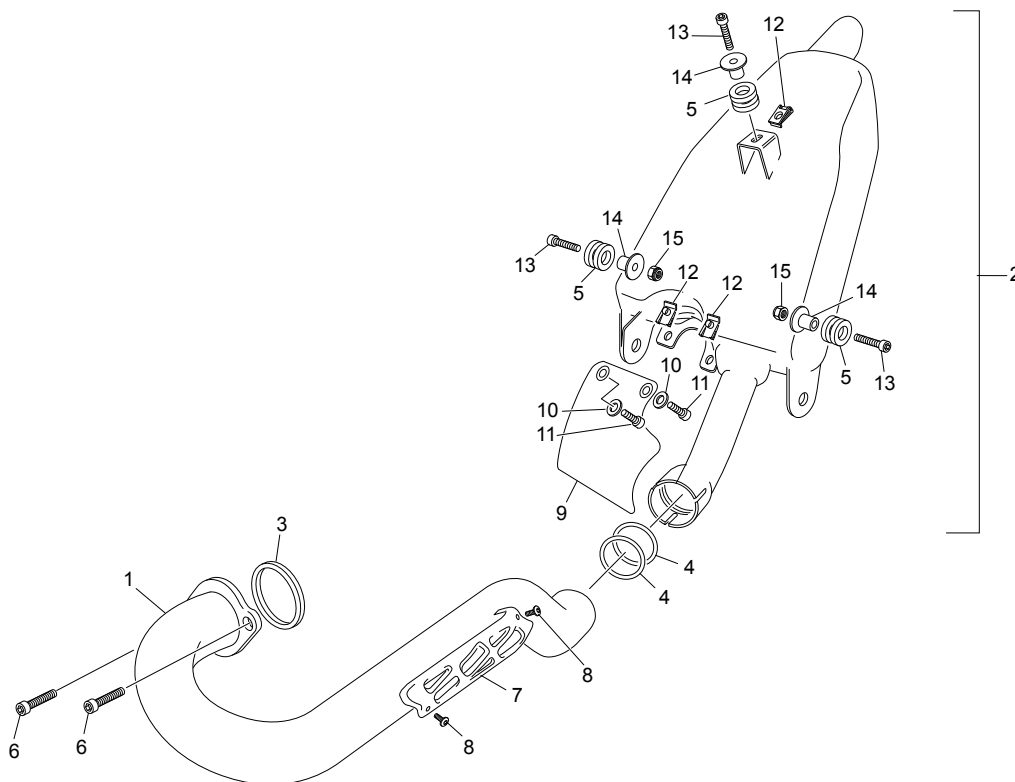
POS.	1.2	2.9	FRANÇAIS	ENGLISH	ESPAÑOL
1	2478	2478	FOURCHE TRIDE 2008	FORK TRIDE	HORQUILLA TRIDE
3	0363	0363	GUIDE DURITE NYLON END 450	HOLDER FRONT BRAKE TUBE END 450	GUIA LATIGUILLO NYLON END 450
5	1494	1494	SUPPORT GUIDE DURITE RACING	BRAKE HOSE RACING SUPPORT	SOPORTE GUIA RACING LATIGUILLO
6	2460	2460	ENSEMBLE PONTETS TRIDE	BRIDE HANDLE TRIDE	BRIDAS MANILLAR TRIDE
8	2509	2509	PIVOT DIRECTION TRIDE	STEERING AXEL T-RIDE	EJE DIRECCION T-RIDE
9	2553	2553	TE INFERIEUR TRIDE	BOTTOM PLAT FORK TRIDE	PLATINA INFERIOR TRIDE
10	2554	2554	TE SUPERIEUR TRIDE	UPPER PLATE FORK TRIDE	PLATINA SUPERIOR TRIDE
13	M262	M262	VIS CHC 8 X 30 0084	SCREW CHC 8 X 30	TORNILLO 8 X 30ALLEN
14	M336	M336	VIS TOLE 2.9 X 9.5 0115	SCREW TOLE 2.9 X 9.5	TORNILLO TOLE 2.9 X 9.5
15	R224	R224	VIS CHC 10X30 FOURCHE 919601395	SCREW CHC 10X30 FORK 919601395	TORNILLO CHC 10 X 30 HORQUILLA

Amortisseur - Bras oscillant / Rear Shock - Swingarm / Amortiguador - Basculante



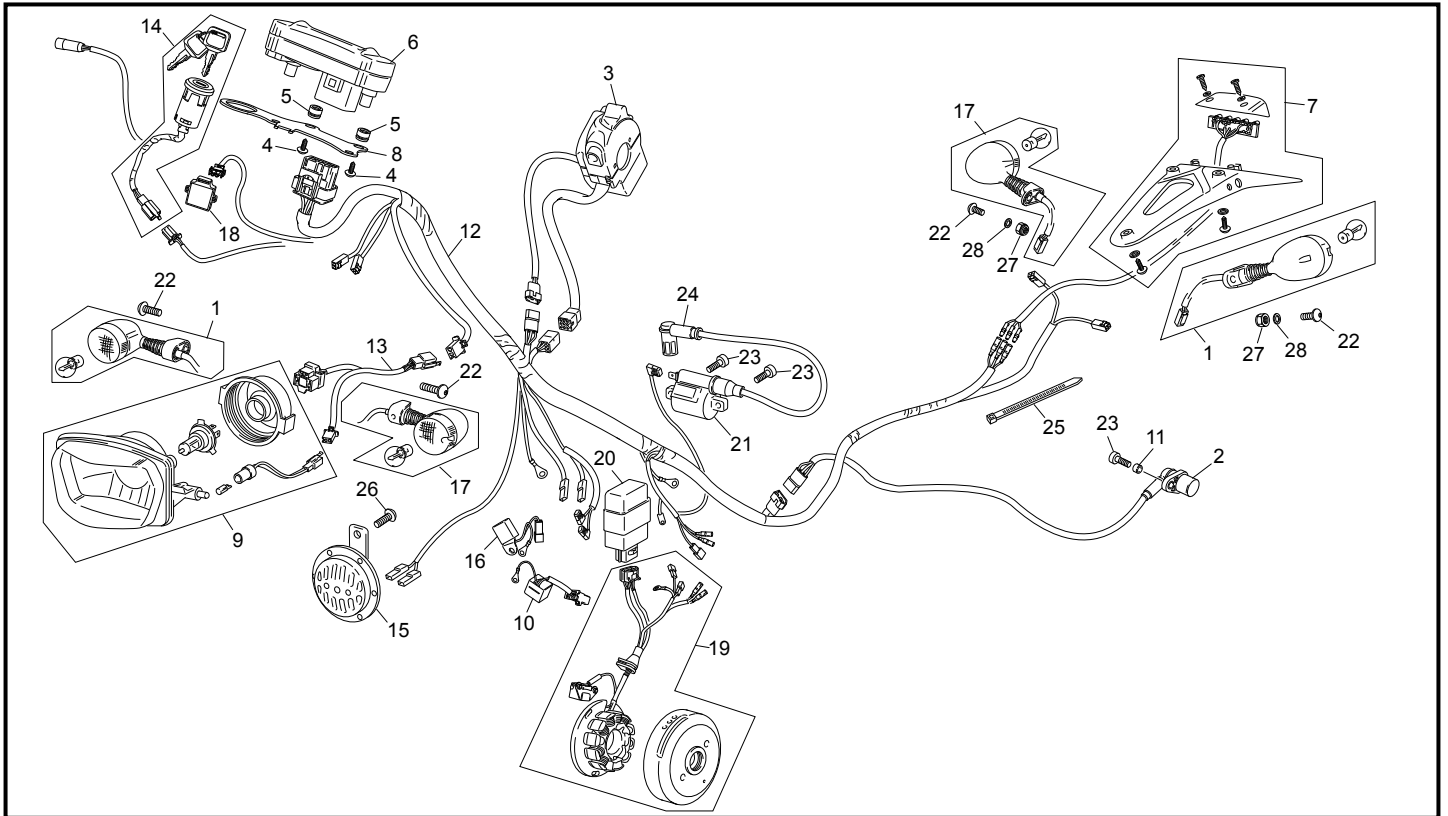
POS.	1.2	2.9	FRANÇAIS	ENGLISH	ESPAÑOL
1	2397	2397	AMORTISSEUR TRIDE 2008	SHOCK ABSORBER TRIDE 2008	AMORTIGUADOR TRIDE 2008
2	M278	M278	VIS BHC 5 X10 1093	SCREW BHC 5X10	TORNILLO 5 X 10 ULS
3	4271	4271	AXE BRAS OSCILLANT TRIDE	SWINGARM AXLE TRIDE	EJE BASCULANTE TRIDE
4	1083	1083	COLLIER DURITE NORMA	COLLARD	ABARAZADERA MANGUITOS
5	C173	C173	AXE 10 X 42	PIN10 X 42	EJE 10 X 42
6	2412	2412	BOUCHON SABLAGE	CUP	TAPON ARENADO
7	2413	2413	BOUCHON SABLAGE DIAM 20	CUP Ø20	TAPON ARENADO DIAM 20
8	2424	2424	CARTER DE CHAINE TRIDE	CHAIN PROTECTOR TRIDE	CUBRECADENAS TRIDE
9	M315	M315	RONDELLE X 10 1405 010	WASHER X 10	ARANDELA X 10 DIN 125 A
10	2483	2483	GUIDE CHAINE TRIDE	CHAIN GUIDE TRIDE	GUIA CADENA TRIDE
11	2505	2505	PATIN DE CHAINE TRIDE	CHAIN GUIDE TRIDE	PATIN CADENA TRIDE
13	M304	M304	ECROU NYLSTOP M10 0368.10	NUT NYLSTOP M10	TUERCA NYLSTOP M10
14	2564	2564	VIS INF AMOR. TRIDE (M10X40 RECTIF)	ECROU LOWER REAR SHOCK (M10X40)	TOR. INF AMOT. TRIDE (M10X40 RECTIF)
16	4209	4209	BRAS OSCILLANT TRIDE 2T	SWING ARM TRIDE 2T	BASCULANTE TRIDE 2T
17	4210	4210	BUTEE ETRIER AR TRIDE 2T 2T	REAR CALIPER STOP TIRIDE 2T	TOPE FRENO TRASERO TIRIDE 2T
18	M316	M316	RONDELLE X 8 1405 08	WASHER X 8	ARANDELA 8 DIN 125 A
19	C411	C411	VIS CHC M6 X 40	SCREW CHC M6 X 40	TORNILLO CHC M6 X 40
20	M321	M321	RONDELLE 6 X 18 X 1.5 0411	WASHER 6 X 18	ARANDELA 6 X 18 DIN 9021
21	C151	C151	DOUILLE AIGUILLE BRAS HK 20X20X2 RS	BEARING HK 20X20X2RS	CASQUILLO AGUJAS BASCULANTE
22	C153	C153	ENTRETOISE ARTICULATION BRAS	SPACER SWING ARM	CASQUILLO EJE BASCULANTE
23	3542	3542	VIS BHC 5 X 12	SCREW BHC 5 X 12	TORNILLO 5 X 12
24	4481	4481	VIS BHC 5 X35 DIN 7380 10.9	SCREW BHC 5 X35 DIN 7380 10.9	TORNILLO BHC 5 X35 DIN 7380 10.9
25	M272	M272	ECROU EMBASE X8 0692	COLLAR EMBASE X8 M8	TUERCA CON VALONA M8
26	C416	C416	ECROU NYLSTOP M14	NUT NYLSTOP M14	TUERCA NYLSTOP M14
27	C425	C425	RONDELLE M14	WASHER M14	ARANDELA M14
28	0462	0462	VIS TENDEUR DE CHAINE END 450	TENSOR CHAIN SCREW END 450	TORNILLO TENSOR CADENA END 450
31	M305	M305	ECROU NYLSTOP M8 0368.8	NUT NYLSTOP M8	TUERCA NYLSTOP M8
32	M309	M309	ECROU STANDARD M6 0317	NUT M6	TUERCA M6
34	2407	2407	BEQUILLE TRIDE	LATERAL STAND	CABALLETE TRIDE
35	2528	2528	RESSORT BEQUILLE SECONDAIRE TRIDE	SPRING LATERAL STAND SECOND TRIDE	MUELLE CABALLETE SECUNDARIO TRIDE
36	2529	2529	RESSORT BEQUILLE TRIDE	SPRING LATERAL STAND	MUELLE CABALLETE TRIDE
37	3087	3087	PLAQUE MAINTIEN RESSORT BEQUILLE	FIXATION SIDE STAND PLATE END 2012	PLACA FIJACION CABALETTE END 2012
38	1237	1237	VIS CHC 8 X 55 0084	SCREW CHC 8 X 55	TORNILLO 8 X 55 ALLEN
39	C755	C755	ENTRETOISE REPOSE PIED CURT 06	SPACER FOOT PEG SHORT06	CASQUILLO ESTRIBERA CORTO 06
40	C007	C007	ENTRETOISE REPOSE PIED 18.4	SPACER FOOT PEG 18.4	CASQUILLO ESTRIBERA 18.4
41	M319	M319	RONDELLE 8 X 18 X 1.5 CONIQUE	WHASHER 8 X 18 X 1.5	ARANDELA DE PLATILLO 8 X 18 X 1.5

Echappement / Exhaust / Escape

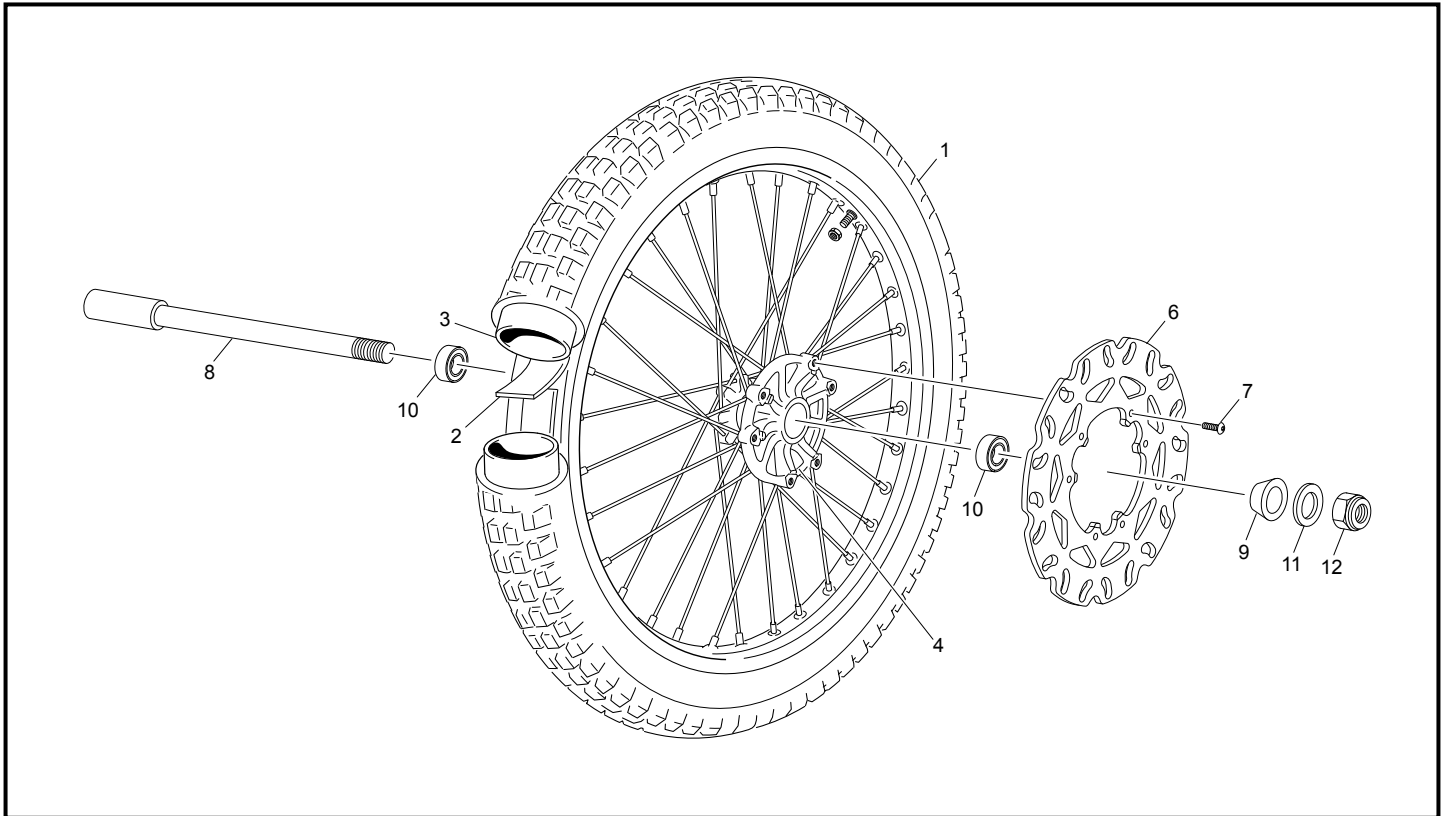


POS.	1.2	2.9	FRANÇAIS	ENGLISH	ESPAÑOL
1	4204	4204	TUBE ECHAPPEMENT HOMOL TRIDE 2T	EXHAUST TUBE HOMOL TRIDE 2 STOCK	TUBO ESCAPE HOMOLO TRIDE 2T
2	4218	4218	SILENCIEUX COMPLET TRIDE 2T	SILENCER TRIDE 2 STROKE	SILENCIADOR TRIDE 2T
3	C122	C122	JOINT CUIVRE 38X44X2.5 0462	GASKET RING 38X44X2.5	JUNTA COBRE 38X44X2.5
4	C104	C104	JOINT TORIQUE POT CENTRAL	O-RING MIDDLE SILEN. 44 X 51 X 3,50	TORICA SILENC. CENTRAL 44 X 51 X 3,50
5	C118	C118	SILENT BLOC RADIATEUR	SILENT-BLOC RADIATOR	SILENT-BLOC RADIADOR
6	M252	M252	VIS CHC 6 X 20 0084	SCREW CHC 6 X 20	TORNILLO 6 X 20 DIN 912
7	1375	1375	TOLE PROT. THERMIQUE	STEEL PROT. THERMIC END 250/300 4T	CHAPA PROT. CALORICA END
8	1381	1381	VIS M4 X6 TOLE PROT. THERMIQUE 4T T	SCREW M4 X 6 STEEL PROT. THERMIC 4T	TOR. M4 X 6 CHAPA PROT. CALOR. 4T T
9	2405	2405	BAVETTE AMORTISSEUR TRIDE	SHOCK ABSORBER PROTECTOR	PROTECTOR AMORTIGUADOR TRIDE
10	M321	M321	RONDELLE 6 X 18 X 1.5 0411	WASHER 6 X 18	ARANDELA 6 X 18 DIN 9021
11	M283	M283	VIS BHC 6 X 16 1093 ZI BL	SCREW BHC 6 X 16	TORNILLO 6 X 16 ULS CIN BLA
12	M308	M308	ECROU CLIP M6 0500500400	NUT CLIP M6	TUERCA CLIP M6
13	M253	M253	VIS CHC 6 X 30 0084	SCREW CHC 6 X 30	TORNILLO 6 X 30 DIN 912
14	2702	2702	ENTRETOISE ISOLANTE BOITIER FILTRE	SPACER INSULATE FILTER BOX TRIDE	CASQUILLO AISLANTE CAJA FILTRO TRIDE
15	M306	M306	ECROU NYLSTOP M6 0368.6	NUT NYLSTOP M6	TUERCA NYLSTOP M6

Faisceau électrique / Electrical system / Instalación eléctrica

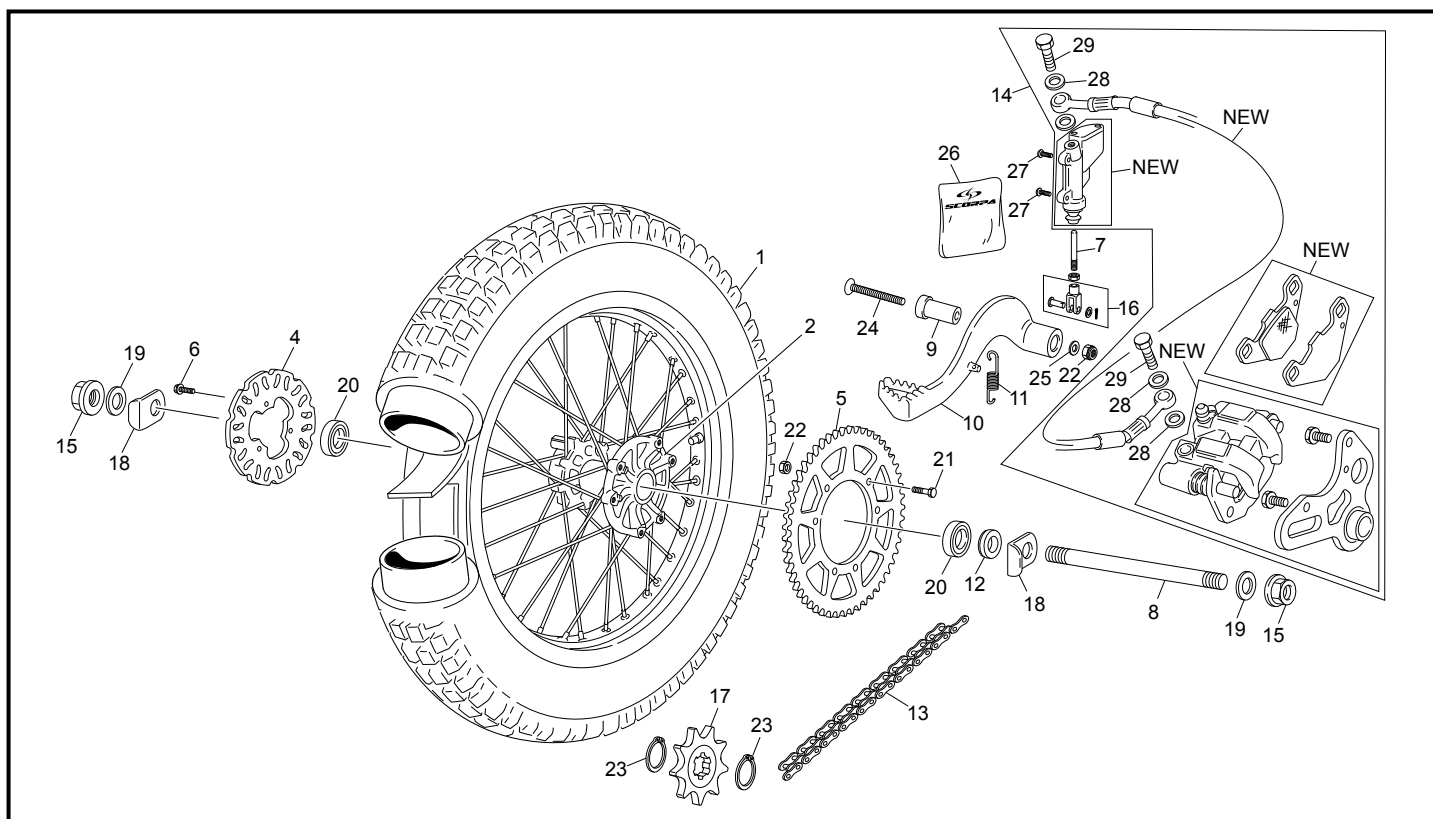


POS.	1.2	2.9	FRANÇAIS	ENGLISH	ESPAÑOL
1	S233	S233	CLIGNO	LEFT TRAFFICATOR	INTERMITENTE IZQUIERDO
2	0372	0372	CABLE COMPTEUR END 450	CABLE SPEEDOMETRO END 450	CABLE VELOCIMRTRRO END 450
3	0413	0413	COMMODO GAUCHE END 450	SWITCH LEFT END 450	COMODO ELECTRIC END 450
4	0576	0576	VIS AUTO FIL 4.9 X 13 LONG	SCREW AUTO THREADING 4.9 X 13 L	TORNILLO AUTORROSCANTE 4.9 X 13 L
5	0582	0582	SILENBLOC COMPTEUR END 450	SILENBLOC COMPTEUR END 450	SILENBLOC COMPTEUR END 450
6	1723	1723	COMPTEUR DE VITESSE END MLC	SPEEDOMETER END MLC	VELOCIMETRO END MLC
7	1763	1763	FEU AR END 450 RACING	RACING REAR LIGHT END 450	RACING FARO TRAS END 450
8	2384	2384	SUPP. COMPMLC 37MM CONTACT. CLIP	SPEEDO METER HOLDER MLC CONTACT. C	SUPP VELO. MLC 37MM END 50/125 CONT.
9	2710	2710	OPTIQUE TRIDE	FRONT LIGHT OPTICAL T RIDE	OPTICA Y BULBO TRIDE
10	2825	2825	DIODE REDRES. VENTILATEUR COMEX '10	DIODE COMEX 2010	RECTIFICADOR VENTILADOR COMEX 2010
11	3680	3680	ENTRETOISE CAPTEUR ETRIER J.JUAN	BUSH SPEED SENSOR J.JUAN	CASQUILLO CAPTADOR J.JUAN
12	4277	4277	FAISEAU ELEC T/X RIDE	INTALATION T/X RIDE	INSTALACION ELEC T/X RIDE
13	4278	4278	FAISEAU ELEC PLAQUE PHARE T RIDE	INTALATION HEAD LIGHT T RIDE	INSTALACION ELEC PLACA FARO T RIDE
14	4328	4328	BLOC CLE DEMARRAGE T-RIDE/ X-RIDE	BLOC KEY STARTER T-RIDE/ X-RIDE	BLOC LLAVE ARRANQUE T-RIDE/ X-RIDE
15	H165	H165	KLAXON 50	CLAXON 50	CLAXON 50
16	M182	M182	REGULATEUR LEONELLI	REGULATOR	REGULADOR
17	S234	S234	CLIGNO	RIGHT TRAFICATTOR	INTERMITENTE DERECHO
18	S289	S289	CENTRALE CLIGNO HOMOLO. CEE	INDICATION LIGHT CENTRAL 10+10 CEE	CENTRAL INT/GOMA/SOP MET/ETC
19	3579	3579	ALLUMAGE CPL HI DIGITAL 2T 12P	IGNITION CPL HI DIGITAL 2T 12P	ENCENDIDO COMPL. HI DIGITAL 2T 12P
20	3580	3580	CDI HI TRIAL DOUBLE COURBE 2T 2012	CDI BOX HI TRIAL DOUBLE CURVE 2T	CDI HI TRIAL DOBLE CURVA 2T 2012
21	3581	3581	BOBINE HI TRIAL 2T 2012	IGNITION COIL TRIAL 2T2012	BOBINA HI TRIAL 2T 2012
22	M283	M283	VIS BHC 6 X 16 1093 ZI BL	SCREW BHC 6 X 16	TORNILLO 6 X 16 ULS CIN BLA
23	M251	M251	VIS CHC 6 X 16 0084	SCREW CHC 6 X 16	TORNILLO 6 X 16 DIN 912
24	M184	M184	ANTIPARASITE MTA RESISTIVE 5 OHMS	SPARK PLUG CAP MTA RESISTIF 5 OHMS	PIPA BUJIA MTA RESISTIVA 5 OHMS
25	M331	M331	COLLIER RISLAN100 X 2.5	COLLIER 100 X 2.5	ABRAZADERA 100X 2.5
27	M306	M306	ECROU NYLSTOP M6 0368.6	NUT NYLSTOP M6	TUERCA NYLSTOP M6
28	M317	M317	RONDELLE 6 X12 0407 6	WASHER X 6	ARANDELA 6 DIN 125 A

Roue avant / Front wheel / Rueda delantera


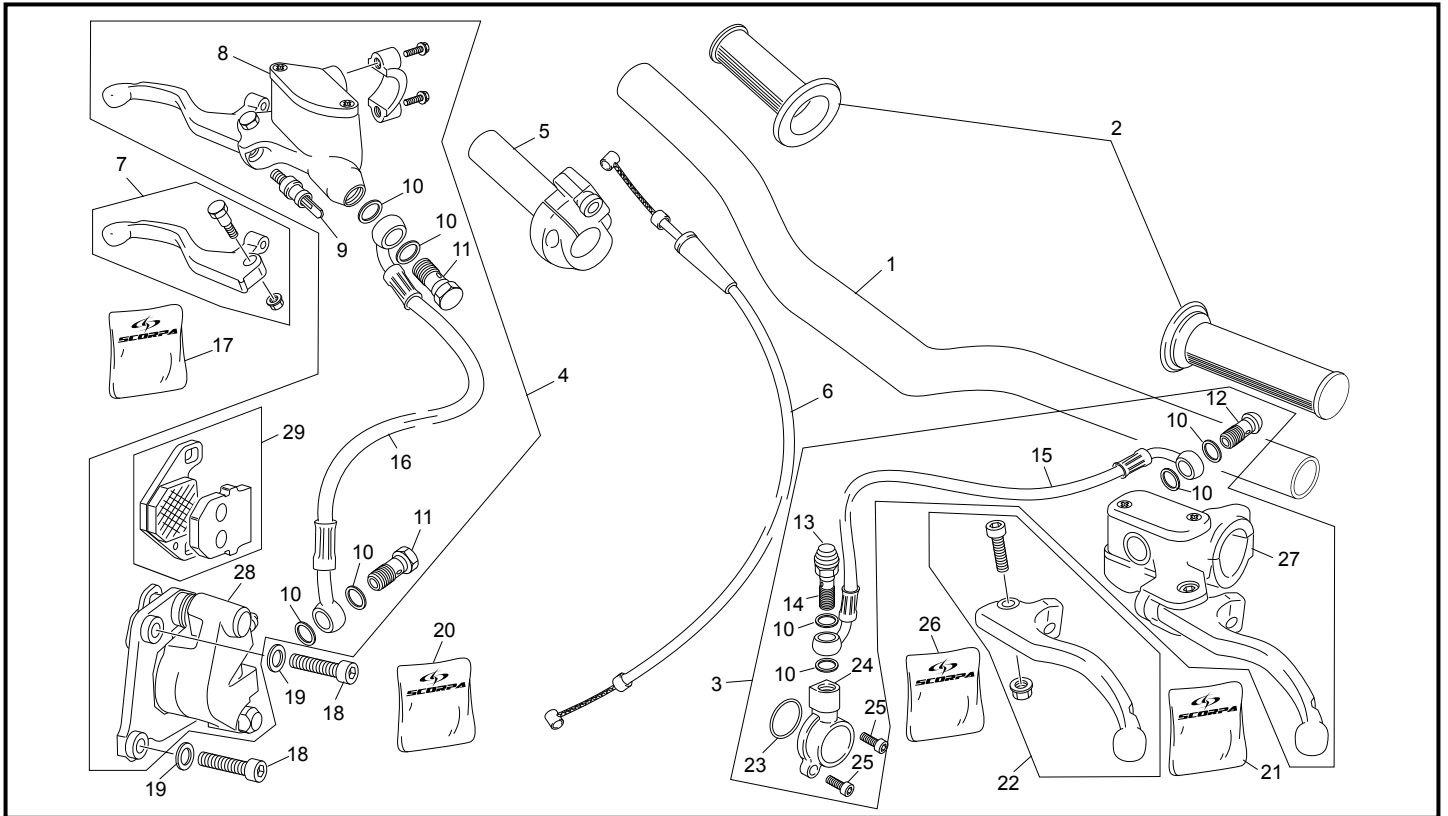
POS.	1.2	2.9	FRANÇAIS	ENGLISH	ESPAÑOL
1	4352	4352	PNEU AVANT 3 X21 T-RIDE	FRONT TIRE 3 X 21 T-RIDE	NEUMATICO DELANTERO 3 X 21 T-RIDE
2	C201	C201	RUBAN FOND DE JANTE R14025	RIM RUBBER PROTECTION	GOMA PROTECCION LLANTA
3	C202	C202	CHAMBRE A AIR 21AB	21 TUBE	CAMARA 21
4	H422	H422	MOYEU AVANT 50 06	FRONT HUB 50 06	BUJE DELANTERO 50 06
6	1734	1734	DISQUE AVANT WAVE 50/125 260MM	BRAKE DISK WAVE 50/125 260 MM	DISCO DEL. WAVE 50/125 260MM
7	C452	C452	VIS HEXAGONAL EPAULE M6 X 18	SCREW EXAGONAL M6 X 18	TORNILLO EXAGONAL M6 X 18
8	2401	2401	AXE ROUE AV TRIDE	FRONT WHEEL AXEL TRIDE	EJE RUEDA DELANTERA TRIDE
9	2472	2472	ENTRETOISE ROUE AV TRIDE (DISQUE)	FRONT WHEEL SPACER TRIDE (DISC)	CASQUILLO RUEDA DEL. TRIDE (DISCO)
10	R360	R360	ROULEMENT MOYEU AV 50 END 6202	BEARING FRONT HUB 50 END	COJINET BUJE DEL 50END 6202 2NSL C3
11	C425	C425	RONDELLE M14	WASHER M14	ARANDELA M14
12	C416	C416	ECROU NYLSTOP M14	NUT NYLSTOP M14	TUERCA NYLSTOP M14

Roue arriere / Rear wheel / Rueda trasera



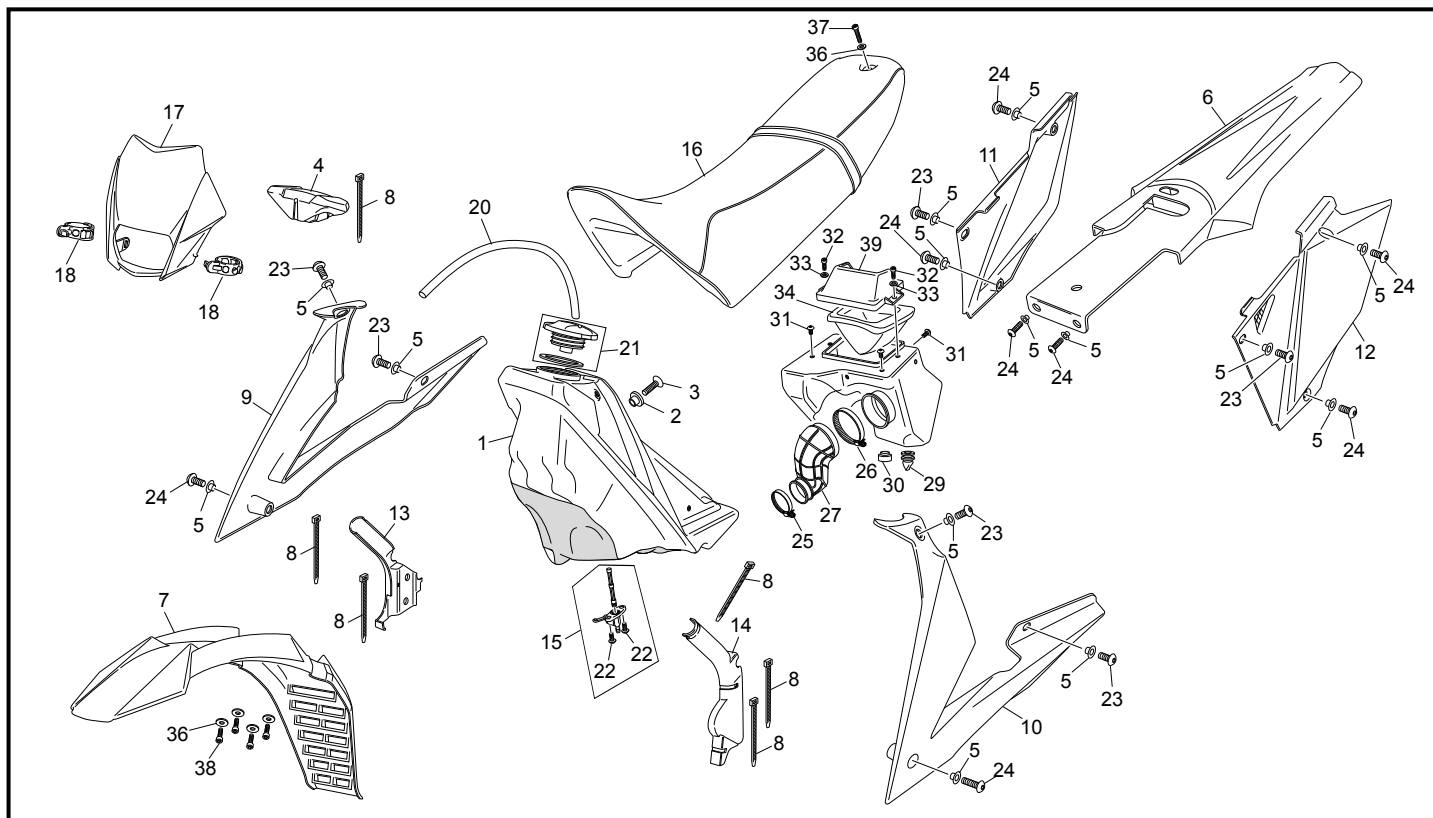
POS.	1.2	2.9	FRANÇAIS	ENGLISH	ESPAÑOL
1	4351	4351	PNEU ARRIERE 400X18 T-RIDE	REAR TYRE 400 X 18 T-RIDE	NEUMATICO 400 X 18 T-RIDE
2	H423	H423	MOYEU ARRIERE 50 06	REAR HUB 50 06	BUJE TRASERO 50 06
4	1735	1735	DISQUE FREIN AR WAVE 50/125	BRAKE DISK REAR WAVE 50/125	DISCO FRENO TRAS WAVE 50/125
5	4273	4273	COURONNE 38 DENTS TRIDE	REAR SPROCKET 38T TRIDE	CORONA 38 DIENTES TRIDE
6	C452	C452	VIS HEXAGONAL EPAULE M6 X 18	SCREW EXAGONAL M6 X 18	TORNILLO EXAGONAL M6 X 18
7	2399	2399	TIGE PEDALE DE FREIN T/X RIDE	AXLE REAR BRAKE T/X RIDE	EJE PEDAL DE FRENO T/X RIDE
8	2400	2400	AXE ROUE AR TRIDE	REAR WHEEL AXEL TRIDE	EJE RUEDA TRASERA TRIDE
9	2468	2468	ENTRETOISE PEDALE DE FREIN TRIDE	BRAKE PEDAL SPACER TRIDE	CASQUILLO PEDAL FRENO
10	2506	2506	PEDALE DE FREIN TRIDE	REAR BRAKE PEDAL TRIDE	PEDAL DE FRENO TRASERO TRIDE
11	2530	2530	RESSORT PEDALE DE FREIN TRIDE	SPRING BREAK FOOT LEVER TRIDE	MUELLE PEDAL DE FRENO TRIDE
12	4211	4211	ENTRETOISE ROUE AR GA TRIDE 2T	REAR BRUSH LEFT TRIDE 2T	SEPARADOR RUEDA TRAS IZQ TRIDE 2T
13	4311	4311	CHAINE 104M T-X RIDE	CHAIN 104Z T-X RIDE	CADENA 104 PASOS T-X RIDE
14	4490	4490	GROUPE FREIN ARR CPL T-RIDE	REAR BRAKE GROUP T-RIDE	CONJUNTO FRENO TRASERO T-RIDE
15	C253	C253	ECROU ROUE ARRIERE	REAR AXLE NUT	TUERCA EJE RUEDA TRASERA
16	C259	C259	CHAPE PEDALE FREIN 0267	REAR BRAKE ROD	HORQUILLA PEDAL DE FRENO
17	C267	C268	PIGNON 10 D	SPOCKET 10T	PINON SALIDA 10 Z
18	H410	H410	TOLE TENSION CHAINE 50/125 06	CHAIN TENSIONER 50/125 06	CHAPA TENSION CADENA 50/125 06
19	C426	C426	RONDELLE M16	WASHER M16	ARANDELA M16
20	R362	R362	ROUL. MOYEU AR 50 END 6003 2NSL	BEARING REAR HUB 50 END	COJINET BUJE TRA. 50END 6003 2NSL C3
21	C420	C420	VIS HEXAG 8 X 30	SCREW 8 X 30	TORNILLO 8 X 30
22	M305	M305	ECROU NYLSTOP M8 0368.8	NUT NYLSTOP M8	TUERCA NYLSTOP M8
23	M350	M350	SEGMENT ARRET WR 20 SORTIE BOITE	SEGMENT ARRET WR 20	SEGMENT ARRET WR 20
24	3011	3011	VIS FHC M8X55 ZI	VIS FHC M8X55 ZI	VIS FHC M8X55 ZI
25	M316	M316	RONDELLE X 8 1405 08	WASHER X 8	ARANDELA 8 DIN 125 A
26	1156	1156	KIT REP. MAITRE CYLINDRE AR 50-125 06	KIT REPAIR REAR MASTER CYLINDER	KIT REP. BOMBA TRAS. 50-125 06
27	M283	M283	VIS BHC 6 X 16 1093 ZI BL	SCREW BHC 6 X 16	TORNILLO 6 X 16 ULS CIN BLA
28	R074	R074	RONDELLE BANJO CUIVRE 10X14X1.5	WASHER COPPER 10X14X1.5	ARANDELA BANJO COBRE 10X14X1.5
29	R059	R059	VIS RACCORD M10 X 21 HEXA	LINK SCREW M10 X 21 HEXA	TORNILLO RACORD M10 X 21 HEXA

Guidon / Handlebar / Manillar



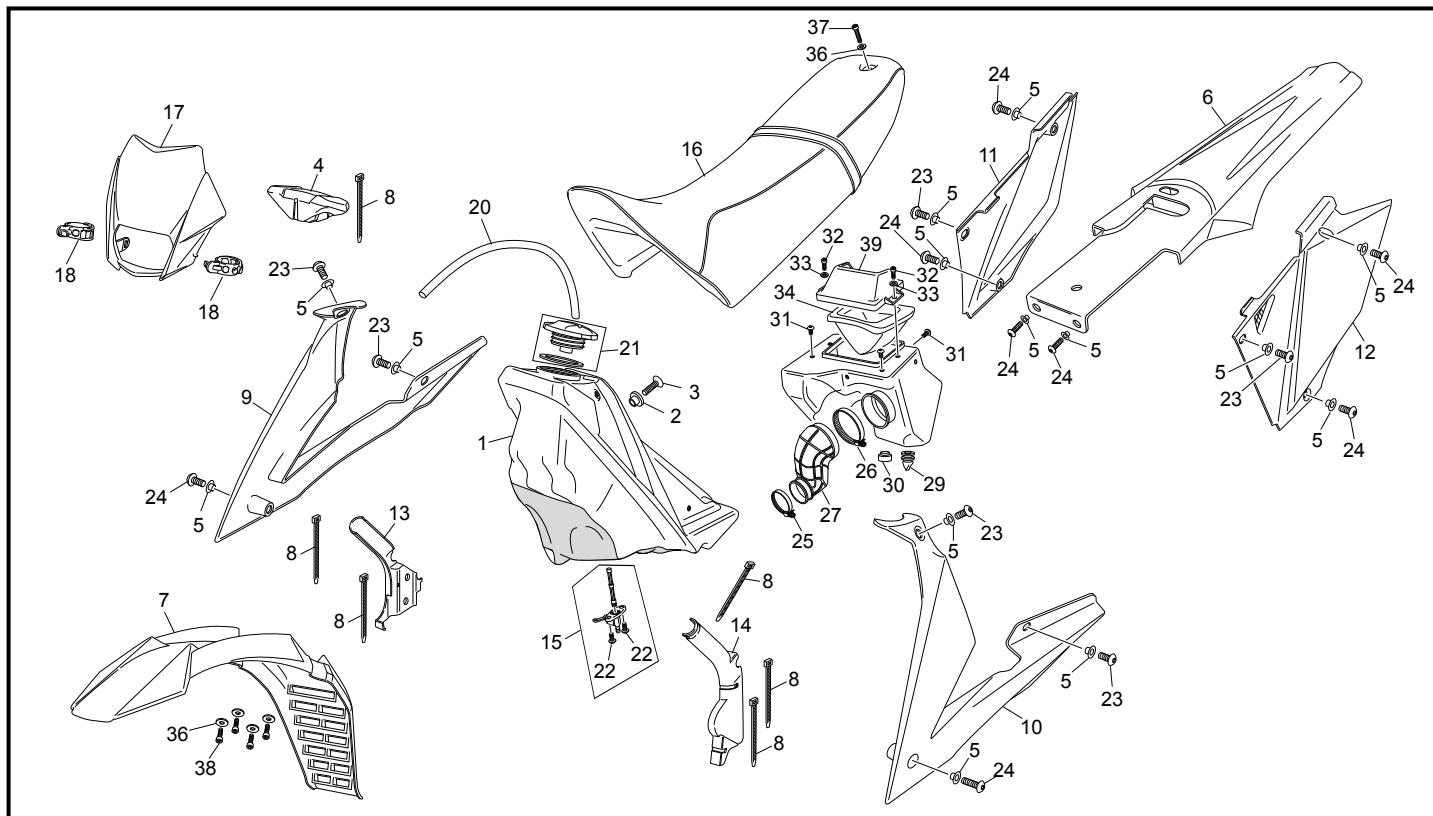
POS.	1.2	2.9	FRANÇAIS	ENGLISH	ESPAÑOL
1	2484	2484	GUIDON TRIDE	HANDLEBAR TRIDE	MANILLAR TRIDE
2	1662	1662	POIGNEE CAOUTCHOUC PAIRE REA	GRIPS SET REA	JUEGO EMPUNADURAS REA
3	3157	3157	GROUPE CPL EMB TR 11	COMPLETE CLUTCH SET TR 11	GRUPO EMBRAGUE COMPLETO TR 11
4	3613	3613	GROUPE FREIN AV CPL 50/125 12	FRONT BRAKE SISTEM 50/125 12	CONJUNTO FRENO DEL 50/125 12
5	C074	C074	COMMANDE DE GAZ	THROTTLE CONTROL	MANDO DE GAS
6	C076	C076	CABLE DE GAZ	THROTTLE CABLE	CABLE DE GAS
7	1188	1188	LEVIER FREIN 50 END GRIS	BRAKE LEVER 50 END GREY	MANETA FRENO 50 END ALUMINIO
8	4086	4086	MAITRE CYLINDRE AV 50 JJUAN	FRONT PUMP ASSY 50 JJUAN	BOMBA FRENO DEL 50 JJUAN
9	R354	R354	CONTACTEUR FREIN AV 50 END	FRONT BRAKE ELEC. CONTACT 50 END	INTERRUPTOR FRENO DEL 50 END
10	R074	R074	RONDELLE BANJO CUIVRE 10X14X1.5	WASHER COPPER 10X14X1.5	ARANDELLA BANJO COBRE 10X14X1.5
11	R059	R059	VIS RACCORD M10 X 21 HEXA	LINK SCREW M10 X 21 HEXA	TORNILLO RACORD M10 X 21 HEXA
12	R044	R044	VIS RAC.POMPE FREIN/EMB M10X19 BHC	SCREW PUMP BRAKE/CLUTCH M10X19	RAC. BOMBA FRENO/EMB M10X19 ABO.
13	R058	R058	CAPUCHON VIS DE PURGE	HOOD SCREW PURGE	TAPON SANGRADOR
14	3214	3214	RACCORD M8 AVEC PURGEUR	RACCORD M8 W PURGE	RACORD M8 CON PURGADOR
15	3211	3211	DURITE EMBRAYAGE WI	CLUTCH HOSE WI	LATIGUILLO EMBRAGUE WI
16	4085	4085	DURITE FREIN AV 50 JJUAN	BRAKE HOSE FRONT 50 JJUAN	LATIGUILLO FRENO DEL 50 JJUAN
17	4082	4082	KIT REP POMPE FREIN JJUAN	KIT REPAIR REAR MASTER CYLINDER JJUAN	KIT REP BOMBQ FRENO JJUAN
18	C414	C414	VIS CHC 8 X 35	SCREW CHC 8 X 35	TORNILLO CHC 8 X 35
19	M316	M316	RONDELLE X 8 1405 08	WASHER X 8	ARANDELA 8 DIN 125 A
20	4083	4083	KIT REPARATION ETRIER 50 JJUAN	KIT REPAI	KIT REPARACIÓN PINZA JJUAN
21	R053	R053	KIT REPARATION POMPE FREIN	KIT REPAIR MASTER CYLINDER CPL FRONT	KIT REPARACIÓN BOMBA DEL
22	R441	R441	LEVIER EMB SEUL POLI	FRONT CLUTCH LEVER POLISHING	MANETA EMB PULIDA
23	R024	R024	TORIQUE 35X31X2 EMB/CARTER	O-RING 35X31X2 (CLUTCH)	TORICA 35X31X2 EMBARGUE
24	3210	3210	RECEPTEUR EMB CPL WI	RACEPTEUR CLUTCH CPL WI	PINZA EMBRAGUE CPL WI
25	M252	M252	VIS CHC 6X20 0084	SCREW CHC 6X20	TORNILLO 6X20 DIN912
26	R023	R023	KIT REPARATION PISTON EMBRAYAGE	KIT REPAIR CLUTCH CYLINDER	KIT REPARACIÓN PISTON EMBRAGUE
27	R030	R030	POMPE EMBRAYAGE CPL	CLUTCH FRONT PUMP ASSY	CTO. BOMBA EMB 9,5
28	4087	4087	ETRIER FREIN AV 50 SIMPLE PISTON JJUAN	FR. CALIPER ASSY ONE PISTON 50 JJUAN	PINZA FERNO DEL SIMPLE PISTÓN
29	4084	4084	PLAQUETTES FREIN AVIAR 50	PAD BRAKE FRONT/REAR 50	JUEGO PASTILLAS DEL/TRAS 50

Plastiques / Plastics / Plásticos



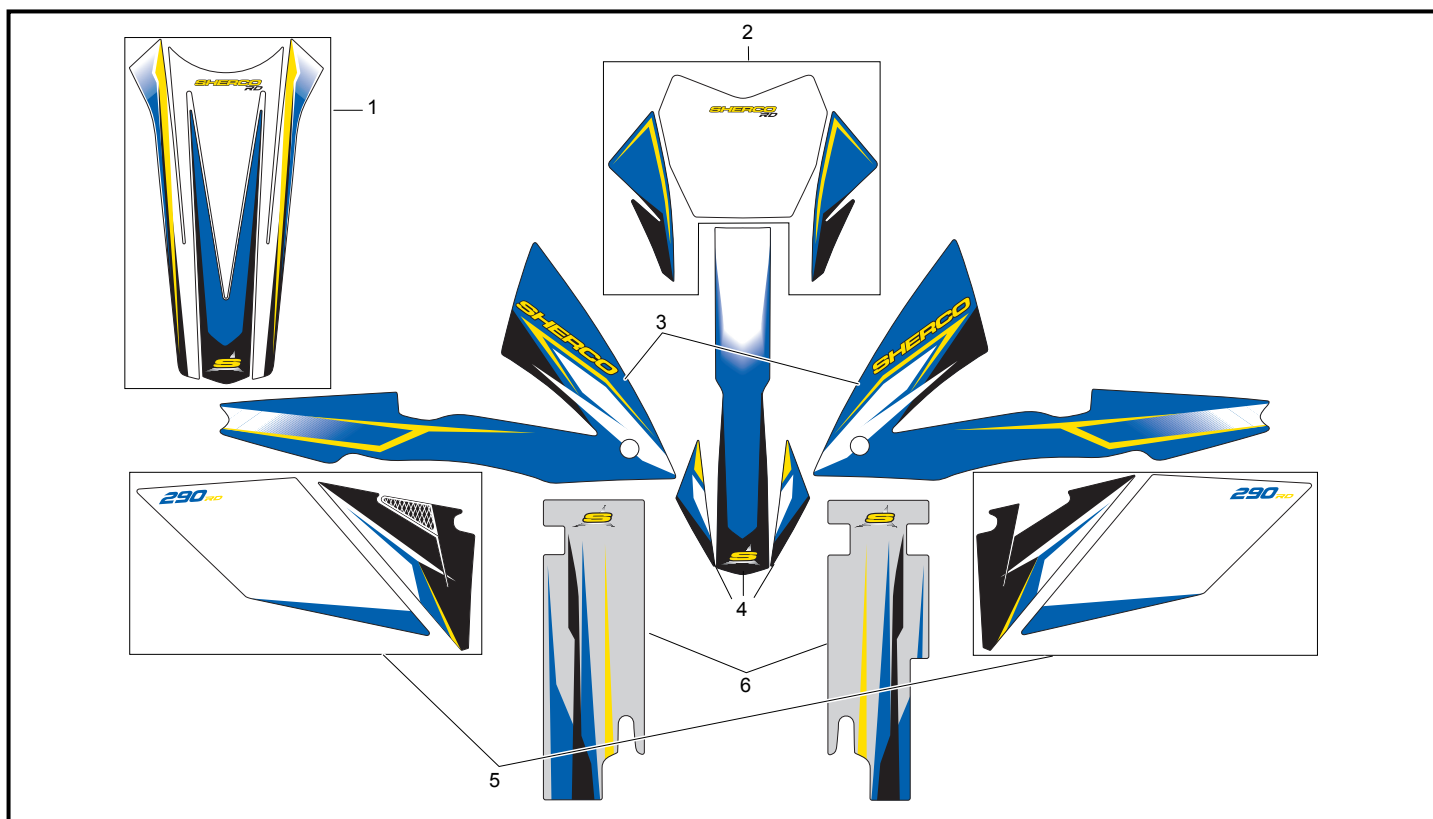
POS.	1.2	2.9	FRANÇAIS	ENGLISH	ESPAÑOL
1	2527	2527	RESERVOIR TRIDE	TANK TRIDE	DEPOSITO TRIDE
2	0497	0497	FIXATION SELLE RESERVOIR END 450	SPACER SEAT /TANK END 450	CASQUILLO SILING DEPOSITO END 450
3	0652	0652	VIS FHC M6 X 25	SCREW FHC M6 X 25	TORNILLO AVELL M6 X 25 DIN 7991
4	2890	2890	MOUSSE DE GUIDON SR280	HANDEL BAR PROTECT SR 280	GOMA PROTEC MANILLAR SR 280
5	2461	2461	ENTRETOISE DECOLLETEE M6 COURTE	SPACER M6 SHORT	CASQUILLO DE DECOLETAGE M6 CORTO
6	2479	2479	PARE BOUE AR BLANC TRIDE	BACK MUDGUARD WHITE TRIDE	GUARDABARRO TRASERO BLANCO TRIDE
7	2480	2480	PARE BOUE AV BLANC TRIDE	FRONT MUDGUARD WHITE TRIDE	GUARDABARRO DELA. BLANCO TRIDE
8	M330	M330	COLLIER RISLAN 178 X 4.8	COLLIER 178 X 4.8	ABRAZADERA 178 X 4.8
9	2503	2503	OUIE RESERVOIR DRO. BLANCHE STICKEE	COVER TANK RIGHT WHITE TRIDE	TAPA DEPOSITO DER. BLANCA TRIDE
10	2504	2504	OUIE RESERVOIR GAU. BLANCHE STICKEE	COVER TANK LEFT WHITE TRIDE	TAPA DEPOSITO IZQ. BLANCA TRIDE
11	2510	2510	PLAQUE LATERALE DRO. BLANCHE TRIDE	SIDE COVER RIGHT WHITE TRIDE	PLACA LATERAL DER. BLANCA TRIDE 2010
12	2511	2511	PLAQUE LAT GAU. BLANCHE TRIDE 2010	SIDE COVER LEFT WHITE TRIDE	PLACA LATERAL IZQ.BLANCA TRIDE 2010
13	2515	2515	PROTECTION DROITE CADRE TRIDE	PROTECTOR CUADRO RIGHT TRIDE	PROTECTOR CUADRO DERECHO TRIDE
14	2516	2516	PROTECTION GAUCHE CADRE TRIDE	PROTECTOR CUADRO LEFT TRIDE	PROTECTOR CUADRO IZQUIERDA TRIDE
15	2531	2531	ROBINET ESSENCE SORTIE HORIZONTALE	PETROL TAP	GRIFO GAZOLINA HORIZONTAL
16	2546	2546	SELLE TRIDE	SEAT TRIDE	SILLIN TRIDE
17	2709	2709	PLAQUE PHARE BLANCHE TRIDE	FRONT LIGHT PLASTIC WHITE TRIDE	PLACA FARO BLANCA TRIDE
18	2711	2711	CAOUTCHOUC PLAQUE PHARE TRIDE	RUBBER FRONT LIGTH TRIDE	GOMA PLACA FARO TRIDE
20	C043	C043	DURITE BOUCHON ESSENCE	PETROL TUBE	TUBO TAPON GASOLINA
21	H398	H398	BOUCHON ESSENCE PLAT ACERBIS	PETROL CAP	TAPON GASOLINA PLANO ACERBIS
22	M282	M282	VIS BHC 6 X 10 1093	SCREW BHC 6 X 10	TORNILLO 6 X 10 BHC
23	M289	M289	VIS BHC M6 X 12 1093	SCREW BHC M6 X 12 1093	TORNILLO M6 X 12 1093
24	M283	M283	VIS BHC 6 X 16 1093 ZI BL	SCREW BHC 6 X 16	TORNILLO 6 X 16 ULS CIN BLA
25	C120	C120	COLLIER NORMA 30/45	COLLARD NORMA 30/45	ABRAZADERA NORMA 30/45
26	0595	0595	COLLIER KC060 MANCHON CORP INJE.	COLLAR KC060 HOSE BODY INJECTION	BRIDA TOBERA KC060 CUERPO INYEC.
27	4208	4208	RACCORD FILTRE CARBU TRIDE 2T	MANIFOLD FILTER/CARBU TRIDE 2T	TOBERA FILTRO CARBU TRIDE 2T
28	2408	2408	BOITIER FILTRE A AIR TRIDE	AIR FILTER BOX TRIDE	CAJA FILTRO TRIDE
29	1167	1167	VALVE CAISSE FILTRE	VALVE BOX FILTER	VALVULA CA JA FILTRO
30	4397	4397	BOUCHON DIAM 12	CAP DIAM 12	TAPON DIAM 12
31	M289	M289	VIS BHC M6 X 12 1093	SCREW BHC M6 X 12 1093	TORNILLO M6 X 12 1093
32	M282	M282	VIS BHC 6 X 10 1093	SCREW BHC 6 X 10	TORNILLO 6 X 10 BHC
33	M317	M317	RONDELLE 6 X12 0407 6	WASHER X 6	ARANDELA 6 DIN 125 A
34	4207	4207	MOUSSE DE FILTRE TRIDE 2T	FOAM TRIDE 2 STROCK	ESPUMA FILTRO TRIDE 2T
35	2502	2502	MOU. ETAN. CAPOT BOITIER FILTRE A AIR	FOAM SEALING COVER BOX AIR FILTER	ESP. ESTANQUEIDAD TAPA CAJA FILTRO AIRE

Plastiques / Plastics / Plásticos



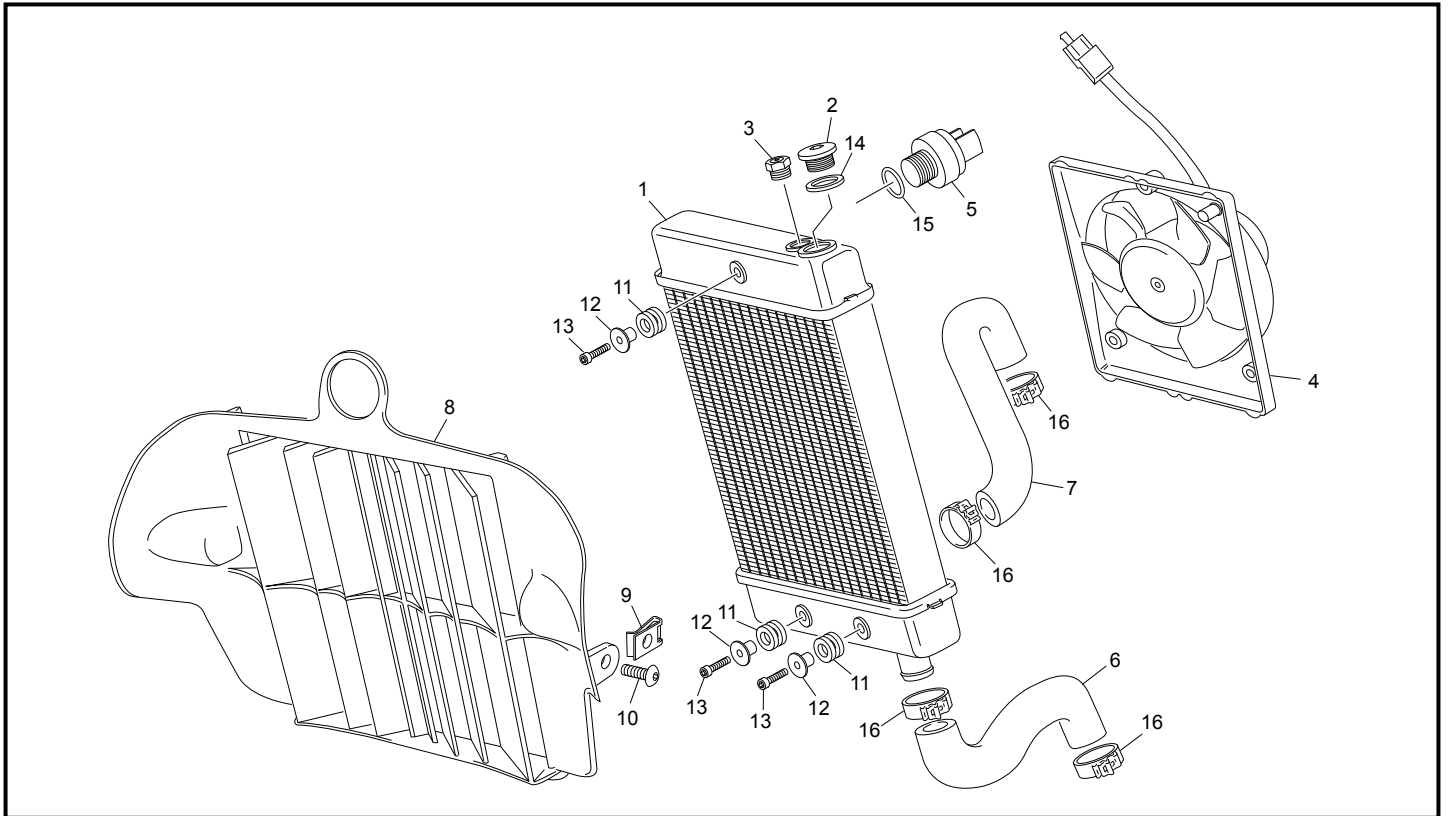
POS.	1.2	2.9	FRANÇAIS	ENGLISH	ESPAÑOL
36	M321	M321	RONDELLE 6 X 18 X 1.5 0411	WASHER 6 X 18	ARANDELA 6 X 18 DIN 9021
37	M253	M253	VIS CHC 6 X 30 0084	SCREW CHC 6 X 30	TORNILLO 6 X 30 DIN 912
38	M252	M252	VIS CHC 6 X 20 0084	SCREW CHC 6 X 20	TORNILLO 6 X 20 DIN 912
39	2442	2442	COUVERCLE FILTRE A AIR TRIDE	AIR BOX CAP TRIDE	CAPUCHON CAJA FILTRO TRIDE

Adhesif / Stiker / Adhesivo



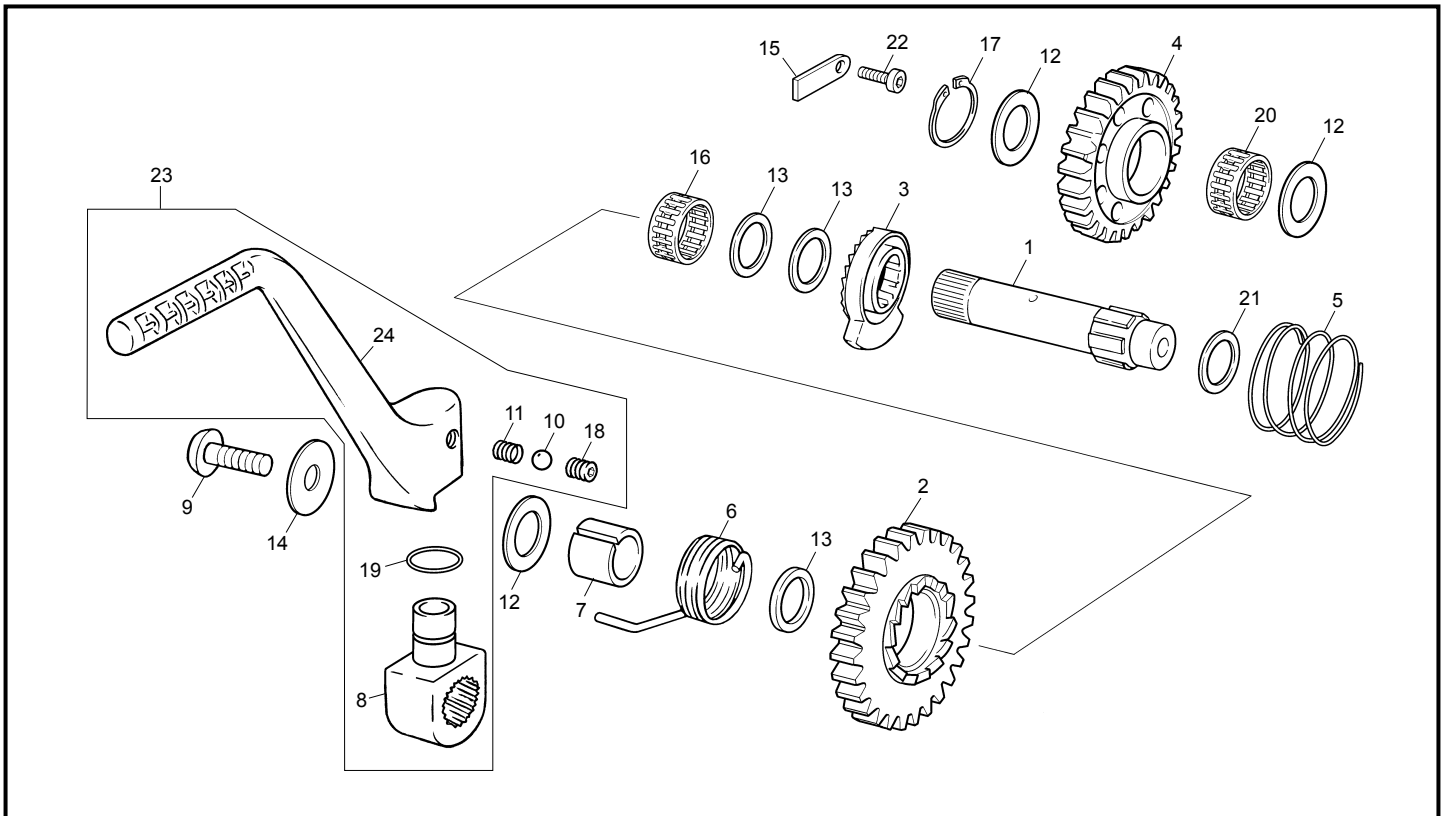
POS.	1.2	2.9	FRANÇAIS	ENGLISH	ESPAÑOL
1	4289	4289	ADHESIF PARE BOUE AR X RIDE	STICKER REAR MUDGARD X RIDE	ADHESIVO GB TRASERO X RIDE
2	4291	4291	ADHESIF PLAQUE PHARE X RIDE	STICKER HEAD LIGHT X RIDE	ADHESIVO PLACA FARO X RIDE
3	4293	4293	ADHESIF OUIE RESERVOIR DROIT X RIDE	STICKER FENDER KIT X RIDE	JUEGO ADHESIVO PLACAS DEPÓ. X RIDE
4	4295	4295	ADHESIF PARE BOUE AVANT X RIDE	STICKER FRONT MUDGARD X RIDE	ADHESIVO GB DELANTERO X RIDE
5	4297	4297	ADHESIF PLAQUE LATERALE PAIRE X RIDE	STICKER LATERAL FENDERS KIT X RIDE	JUEGO ADHESIVOS PLACAS LATER. X RIDE
6	4299	4299	ADHESIF PROTEC. FOURCHE PAIRE X RIDE	STICKER FORK KIT X RIDE	JUEGO ADHESIVOS HORQUILLA X RIDE

Radiateur / Radiator / Radiador



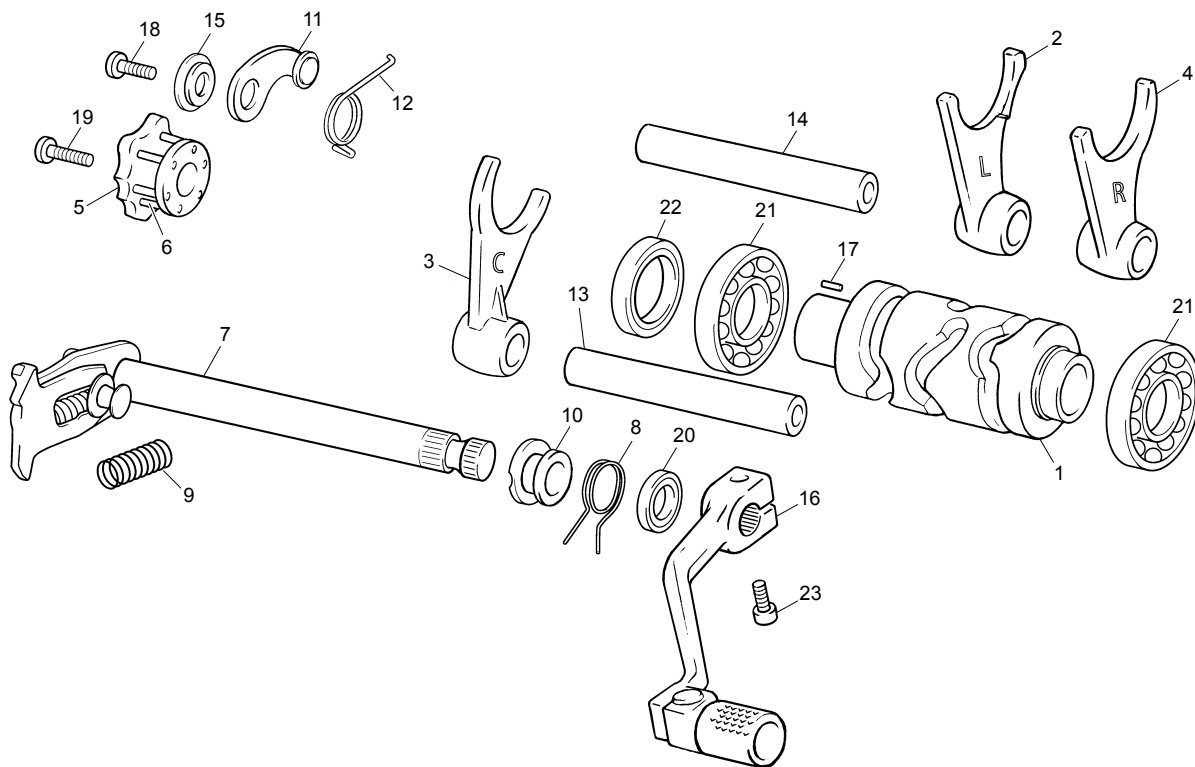
POS.	1.2	2.9	FRANÇAIS	ENGLISH	ESPAÑOL
1	3127	3127	RADIATEUR 2T 2011	RADIATOR 2S 2011	RADIADOR 2T 2011
2	2906	2906	BOUCHON RADIATEUR TRIAL 2010	RADIATOR TAP TRIAL 2010	TAPON RADIADOR TRIAL 2010
3	2269	2269	VALVE PRESSION RADIATEUR	PRESSION VALVE RADIATOR	VALVULA PRESSION RADIADOR
4	1523	1523	VENTILATEUR COMEX 120	FAN DIAM COMEX 120	VENTILADOR COMEX 120
5	2256	2256	THERMOCONTACT 2T 2010 75-68	THERMOSTAT 2T 2010 75-68	TERMOCONTACTO 2T 2010 75-68
6	4205	4205	DURITE CARTER RADIATEUR TRIDE 2T STOCK	RUBBER TUBE CRANKSHAFT/RADIATOR	MANGUITO CARTER/RADIADOR TRIDE 2T
7	2897	2897	DURITE SUP CULASSE-RADIATEUR SR 280	HORSE CILENDER HEAD/RADIATOR	TUBO CULATA/RADIADOR SR 280
8	2482	2482	GRILLE RADIATEUR TRIDE	PROTECTOR RADIATOR	PROTECTOR RADIADOR
9	M308	M308	ECROU CLIP M6 0500500400	NUT CLIP M6	TUERCA CLIP M6
10	M283	M283	VIS BHC 6 X 16 1093 ZI BL	SCREW BHC 6 X 16	TORNILLO 6 X 16 ULS CIN BLA
11	C118	C118	SILENT BLOC RADIATEUR	SILENT-BLOC RADIATOR	SILENT-BLOC RADIADOR
12	3952	3952	ENTRETOISE RADIATEUR	RADIATOR BRUSH	CASQUILLO RADIADOR
13	M268	M268	VIS BHC 6 X 16 CARROSSERIE	SCREW BHC 6 X 16 CARROSSERIE	TORNILLO 6 X 16 ESPECIAL CARROCERIA
14	M168	M168	TORIQUE 14 X18X2	O RING 14X18X2	TORICA 14X18X2
15	M651	M651	JOINT 13.10 X 1.6 SORTIE EAU 4T TRIAL	WATER EXIT O SEAL 13.10 X 1.6 4T TRIAL	TORICA 13.105 X 1.6 TUBO SALIDA AGUA
16	C114	C114	COLLIER DURITE NORMA VERT 21	COLLARD NORMA GREEN 21	ABARAZADERA MANGUITOS VERDE 21

Lanceur / Kickstarter assembly / Pedal arranque



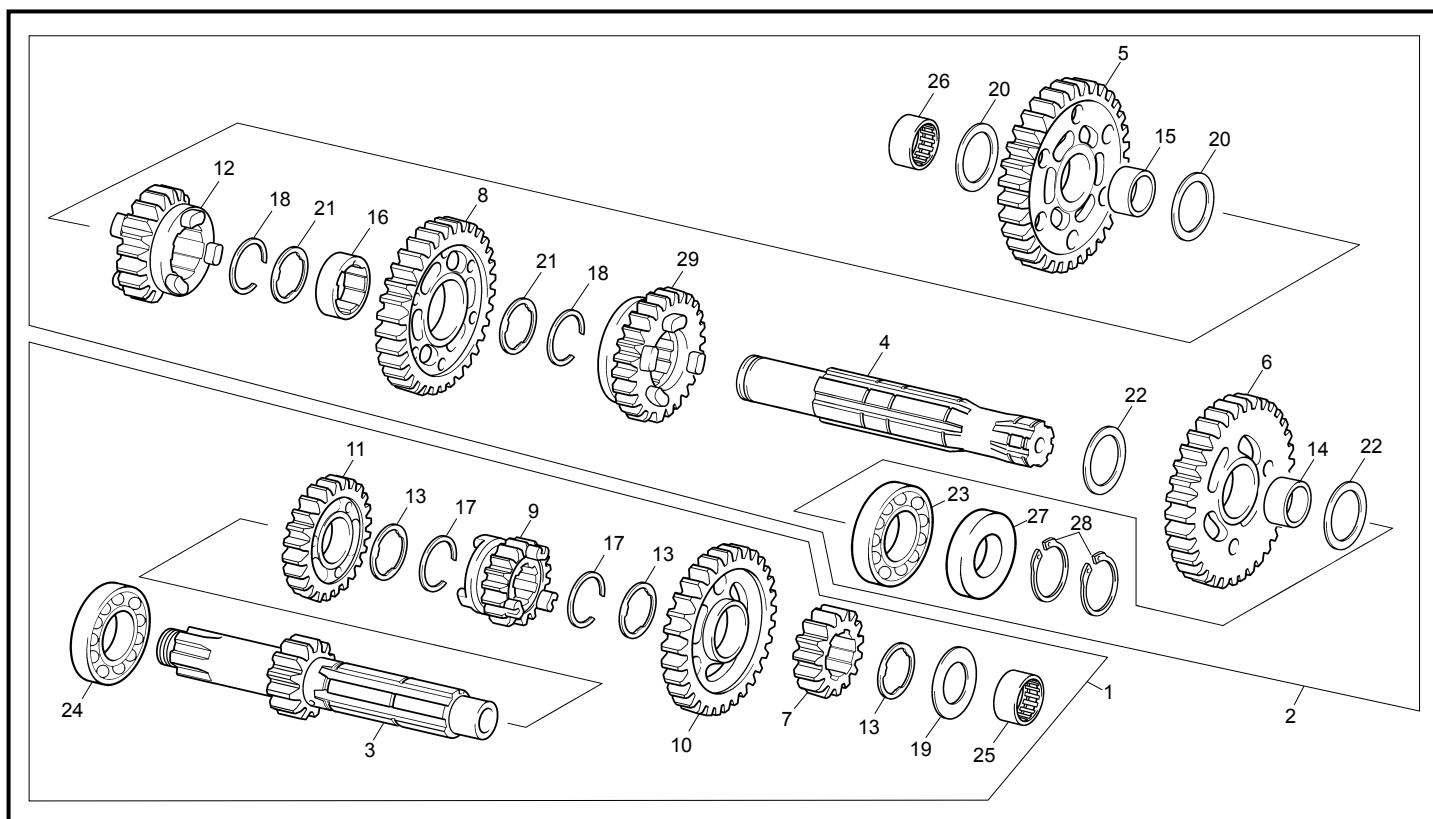
POS.	1.2	2.9	FRANÇAIS	ENGLISH	ESPAÑOL
1	M150	M150	ARBRE LANCEUR	KICKSTART AXLE	EJE ARRANQUE
2	M151	M151	PIGNON LIBRE DENT DE LOUP	KICKSTART PINION	PINON TRINQUETE
3	M152	M152	COULISSEAU DENT DE LOUP	FREE RATCHET KICKSTART	TRINQUETE DESPLAZABLE
4	M153	M153	ROUE INTERMEDIAIRE	IDLE GEAR KICKSTART	RUEDA INTERMEDIA
5	M155	M155	RESSORT COULISSEAU D DE L	COMPRESSION SPRING	MUELLE TRINQUETE
6	M156	M156	RESSORT DE RAPPEL KICK	KICK STARTING SPRING	MUELLE DE RETORNO
7	M157	M157	DOUILLE CENTRAGE RESSORT	SPACER SPRING KICK START	CASQUILLO CENTRAJE MUELLE
8	3215	3215	NOIX DE KICK WI	KICKSTART BOTTOM WI	MUNEQUILLA PEDAL ARRANQUE WI
9	M280	M280	VIS BHC 8 X 16 1093	SCREW BHC 8 X 16	TORNILLO 8 X 16 ULS
10	M160	M160	BILLE 5.5	5.5 BALL	BOLA 5.5
11	M161	M161	RESSORT DE POUSSEE BILLE	BALL SPRING	MUELLE PULSADOR BOLA
12	M163	M163	RONDELLE INA AS 17X30X1	WASHER INA AS 17X30X1	ARANDELA INA AS 17X30X1
13	M164	M164	RONDELLE ARBRE 17X25X1	WASHER 17X25X1	ARANDELA EJE ARRANQUE 17X25X1
14	M319	M319	RONDELLE 8 X 18 X 1.5 CONIQUE	WHASHER 8 X 18 X 1.5	ARANDELA DE PLATILLO 8 X 18 X 1.5
15	4157	4157	BUTEE COULISSEAU D DE L	TOP RATCHET	TOPE TRINQUETE DESPLAZABLE
16	M167	M167	CAGE AIG. PIG. DENT LOUP K17X21X10	NEEDLE BEARING K17X21X10	JAULA AGUJAS PIÑON TRINQ. K17X21X10
17	M171	M171	SEGMENT ARRET DIAN 17	RETAINING RING17	SIGER DIAMETRO 17
18	M169	M169	VIS SANS TETE DU KICK	SCREW NO HEAD KICK LEVER	TOR. ALEN SIN CABEZA PEDAL ARRANQUE
19	M168	M168	TORIQUE 14 X18X2	O RING 14X18X2	TORICA 14X18X2
20	M077	M077	DOUILLE AIGUILLE HK1712B	NEEDLE BEARING 17X23X12	CASQUILLO DE AGUJAS 17X23X12
21	M165	M165	RONDELLE ARBRE 16X25X1	WASHER 16X25X1	ARANDELA EJE ARRANQUE 16X25X1
22	M251	M251	VIS CHC 6 X 16 0084	SCREW CHC 6 X 16	TORNILLO 6 X 16 DIN 912
23	3212	3212	KICK COMPLET WI	KICK START WI	PEDAL ARRANQUE WI
24	3428	3428	LEVIER DE KICK 2011 SEUL TR	KICKSTART LEVER 2011 ONLY TR	PEDAL ARRANQUE 2011 SOLO TR

Selecteur / Gear selector group / Selector cambio



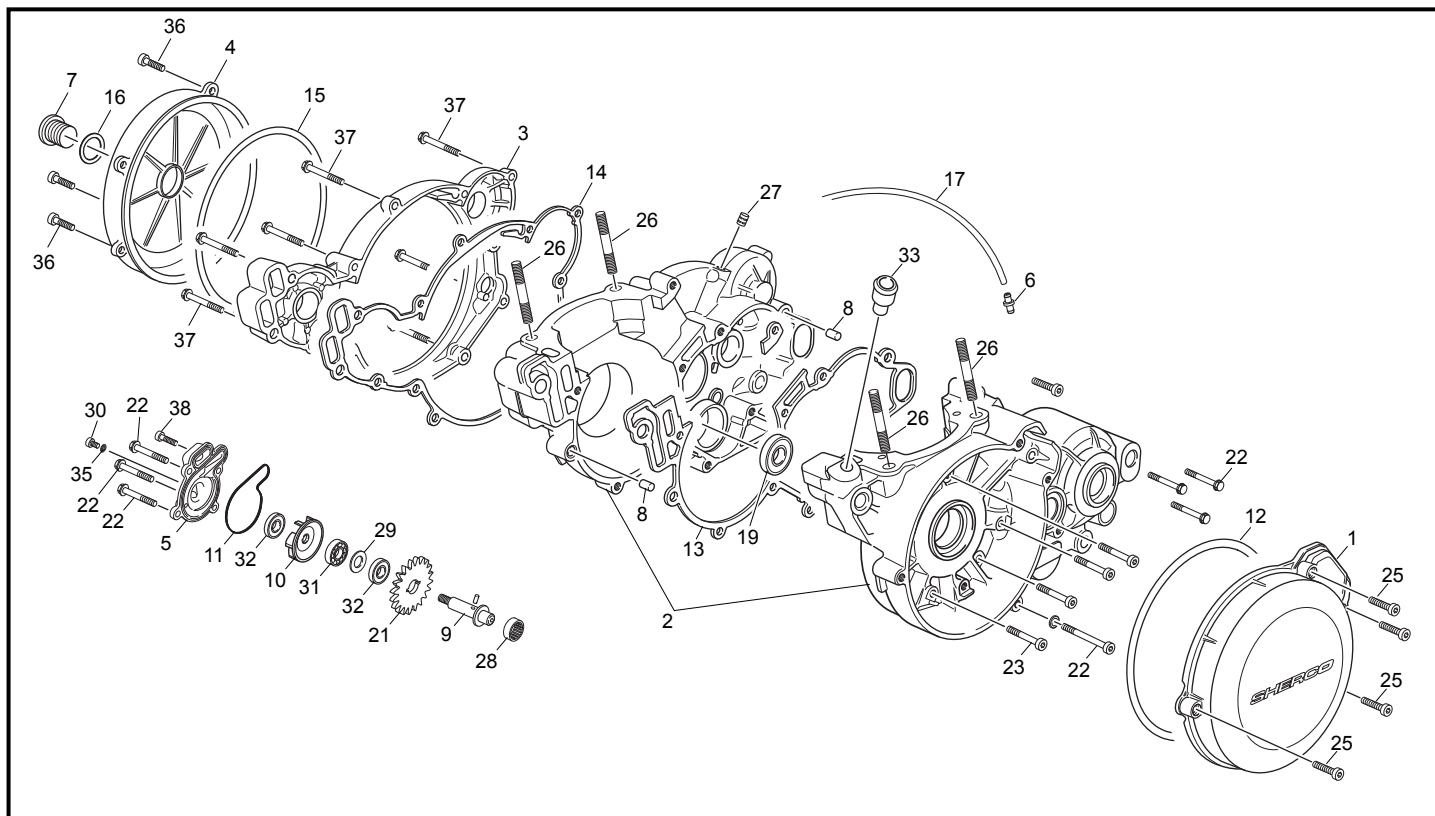
POS.	1.2	2.9	FRANÇAIS	ENGLISH	ESPAÑOL
1	M100	M100	TAMBOUR DE SELECTION	SELECTOR DRUM	DESMODROMICO SELECTOR
2	M102	M102	FOURCHETTE L	L FORK	HORQUILLA L
3	M103	M103	FOURCHETTE C	C FORK	HORQUILLA C
4	M104	M104	FOURCHETTE R	R FORK	HORQUILLA R
5	M105	M105	ETOILE DE SELECTION CPL	INDEX SHIM	ESTRELLA SELECTOR
6	M106	M106	PION ETOILE INA NRA 3X17.8	NEEDLE PIN NRA3X17.8	AGUJA DE LA ESTRELLA INA NRA3X17.8
7	M107	M107	ARBRE DE SELECTEUR CPL	SHIFT SHAFT WITH PAWL ASSY	ARBOL SELECTOR
8	M110	M110	RESSORT RAPPEL SELECTION	SPRING SHIFT LEVER	MUELLE RETORNO SELECTOR
9	M111	M111	RESSORT RAPPEL COULISSEAU	SPRING COULISSEAU	MUELLE RETORNO ESORPION
10	M113	M113	DOUILLE CENTRAGE RESSORT RAPPEL	SPACER SPRING SHIFT LEVER	CASQUILLO CENT. MUELLE RETORNO
11	M114	M114	LEVIER DE VERROUILLAGE CPL	INDEX LEVER ASSY	PALANCA DE CIERRE SELECTOR
12	M117	M117	RESSORT DE RAPPEL LEVIER VERROUIL	INDEX SPRING	MUELLE RETORNO PALANCA DE CIERRE
13	M118	M118	AXE DE FOURCHETTE COURT	FORK SPINDLE	EJE DE HORQUILLA CORTO
14	M119	M119	AXE DE FOURCHETTE LONG	FORK SPINDLE LONG	EJE DE HORQUILLA LARGO
15	M121	M121	DOUILLE LEVIER VERROUILLAGE	SPACER INDEX LEVER	CASQUILLO PALANCA CIERRE
16	M127	M127	SELECTEUR EXTERIEUR TRIAL RACING	SHIFT LEVER ASSY TRIAL RACING	PALANCA DE CAMBIO TRIAL RACING
17	M122	M122	PION CLAVETAGE ETOILE NRA3X11.8	NEEDLE PIN NRA3X11.8	AGUJA POSICI. ESTRELLA NR3X11.8
18	M251	M251	VIS CHC 6 X 16 0084	SCREW CHC 6 X 16	TORNILLO 6 X 16 DIN 912
19	M253	M253	VIS CHC 6 X 30 0084	SCREW CHC 6 X 30	TORNILLO 6 X 30 DIN 912
20	M126	M126	JOINT LEVRE 12 X 19 X 5 DL	OIL SEAL 12X19X5	RETEN12X19X5 DL
21	M123	M123	ROULEMENT 25X37X7 R61805	BEARING 25X37X7 R61805	COJINETE 25X37X7 R61805
22	M124	M124	JOINT A LEVRE G28X37X4	OIL SEAL G28X37X4	RETEN G28X37X4
23	M252	M252	VIS CHC 6 X 20 0084	SCREW CHC 6 X 20	TORNILLO 6 X 20 DIN 912

Boite a vitesses / Gear set / Cambio



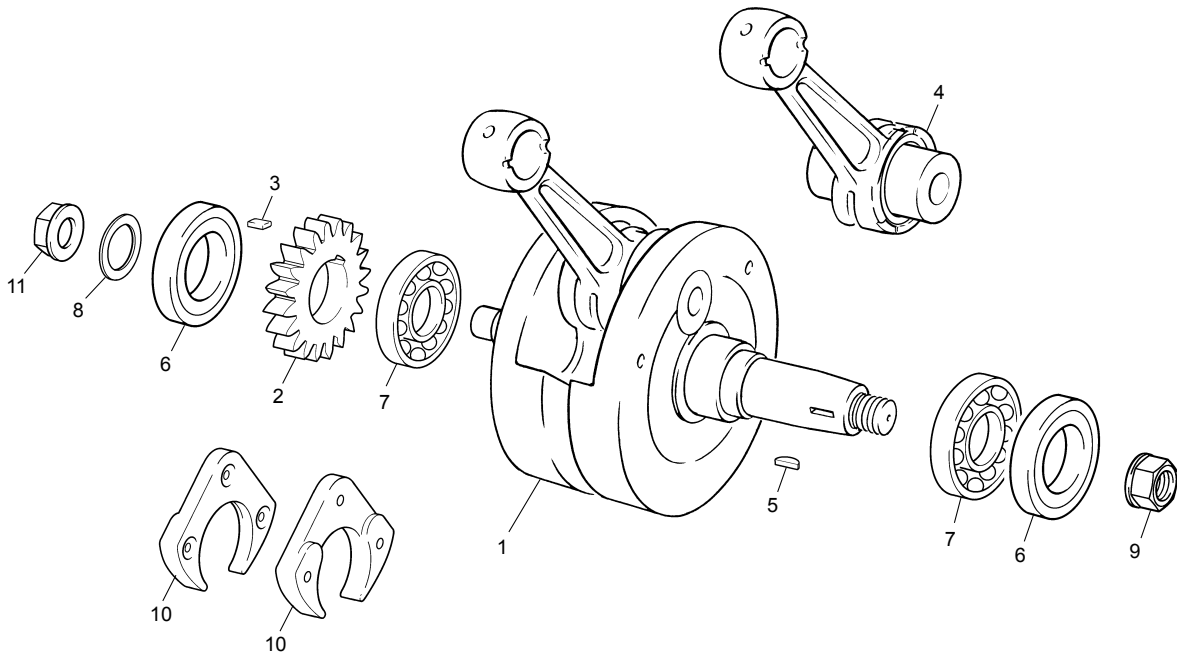
POS.	1.2	2.9	FRANÇAIS	ENGLISH	ESPAÑOL
1	4274	4274	ENSEMBLE ARBRE PRIMAIRE 03	GROUP FIRST SHAFT WITH PINION 03	CJTO EJE PRIM CAMBIO 03
2	4275	4275	ENSEMBLE ARBRE SECONDAIRE 03	GR. SECOND SHAFT WITH PINION 03	ENSEMBLE ARBRE SECONDAIRE 03
3	M374	M374	ARBRE PRIMAIRE / PIGNON 1ERE EVOL 2	GEAR CLUTCH SHAFT EVOL 2	EJE PRIMARIO EVOL 2
4	M054	M054	ARBRE SECONDAIRE	MAINSHAFT	EJE SECUNDARIO
5	M367	M367	PIGNON SECONDAIRE 1ERE EVOL 2	PINION SECOND 1ERE EVOL 2	PINION SECOND 1ERE EVOL 2
6	4301	4301	ROUE LIBRE DE 2EME	FREE PINION 2 EME	CORONA DE 2A
7	4300	4300	PIGNON FIXE DE 2 EME	GEAR PINION 2EME	PINON DE 2A
8	4303	4303	ROUE LIBRE DE 3 EME	FREE PINION 3 EME	CORONA DE 3A
9	4302	4302	PIGNON BALADEUR DE 3EME	GEAR PINION 3 EME	PINON DESPLAZABLE 3A
10	M061	M061	ROUE LIBRE DE 5 EME	GEAR PINION 5 EME	CORONA DE 5A
11	M062	M062	PIGNON LIBRE DE 4 EME	FREE PINION 4 EME	PINON DE 4A
12	M063	M063	ROUE BALADEUSE DE 4 EME	FREE PINION 4 EME	CORONA DESPLAZABLE DE 4A
13	M064	M064	RONDELLE CRENEAUX 20X24X1	GEAR WASHER 20X24X1	ARANDELA ESTRIADA 20X24X1
14	M065	M065	DOUILLE ANTI FRICTION 1ERE	BUSH 1ERE	CASQUILLO ANTI-FRICCION 1A
15	M066	M066	DOUILLE ANTI FRICTION 2EME	BUSH 2 EME	CASQUILLO ANTI-FRICCION 2A
16	M067	M067	DOUILLE ANTI FRICTION 3EME	BUSH 3 EME	CASQUILLO ANTI-FRICCION 3A
17	M068	M068	SEGMENT ARRET WR 20	RETAINING WR 20	SEEGER WR 20
18	M069	M069	SEGMENT ARRET WR 22	RETAINING WR 22	SIGER WR 22
19	M070	M070	RONDELLE INA ARBRE PRIMAIRE 15X28X1	THRUST WASHER 15X28X1	ARANDELLA INA EJE PRIMARIO 15X28X1
20	M071	M071	RONDELLE ARBRE SECONDAIRE 17X27X1	MAINSHAFT WASHER 17X27X1	ARANDELLA EJE SECUNDARIO 17X27X1
21	M072	M072	RON. CRENEAU ARBRE SECOND. 22X28X1	WASHER 22X28X1	ARAN. ESTR. EJE SECUNDARIO 22X28X1
22	M073	M073	RONDELLE ARBRE SECONDAIRE 20X27X1	MAINSHAFT WASHER 20X27X1	ARANDELA EJE SECUNDARIO 20X27X1
23	M074	M074	ROULEMENT 20X47X14	BEARING 20X47X14	COJINETE 20X47X14
24	M075	M075	ROULEMENT 20X47X14 2RSH	BEARING 20X47X14 2RSH	COJINETE 20X47X14 2RSH
25	M076	M076	DOUILLE AIGUILLE 15X21X12	NEEDLE BEARING 15X21X12	CASQUILLO DE AGUJAS 15X21X12
26	M077	M077	DOUILLE AIGUILLE HK1712B	NEEDLE BEARING 17X23X12	CASQUILLO DE AGUJAS 17X23X12
27	M078	M078	JOINT DOUBLE LEVRE 20X30X7	OIL SEAL 20X30X7	RETEN DOBLE LABIO 20X30X7
28	M350	M350	SEGMENT ARRET WR 20 SORTIE BOITE	SEGMENT ARRET WR 20	SEGMENT ARRET WR 20
29	M060	M060	PIGNON BALADEUR DE 5 EME	FREE PINION 5 EME	PINON LIBRE 5A

Groupe carters / Crankcase assembly / Grupo carters



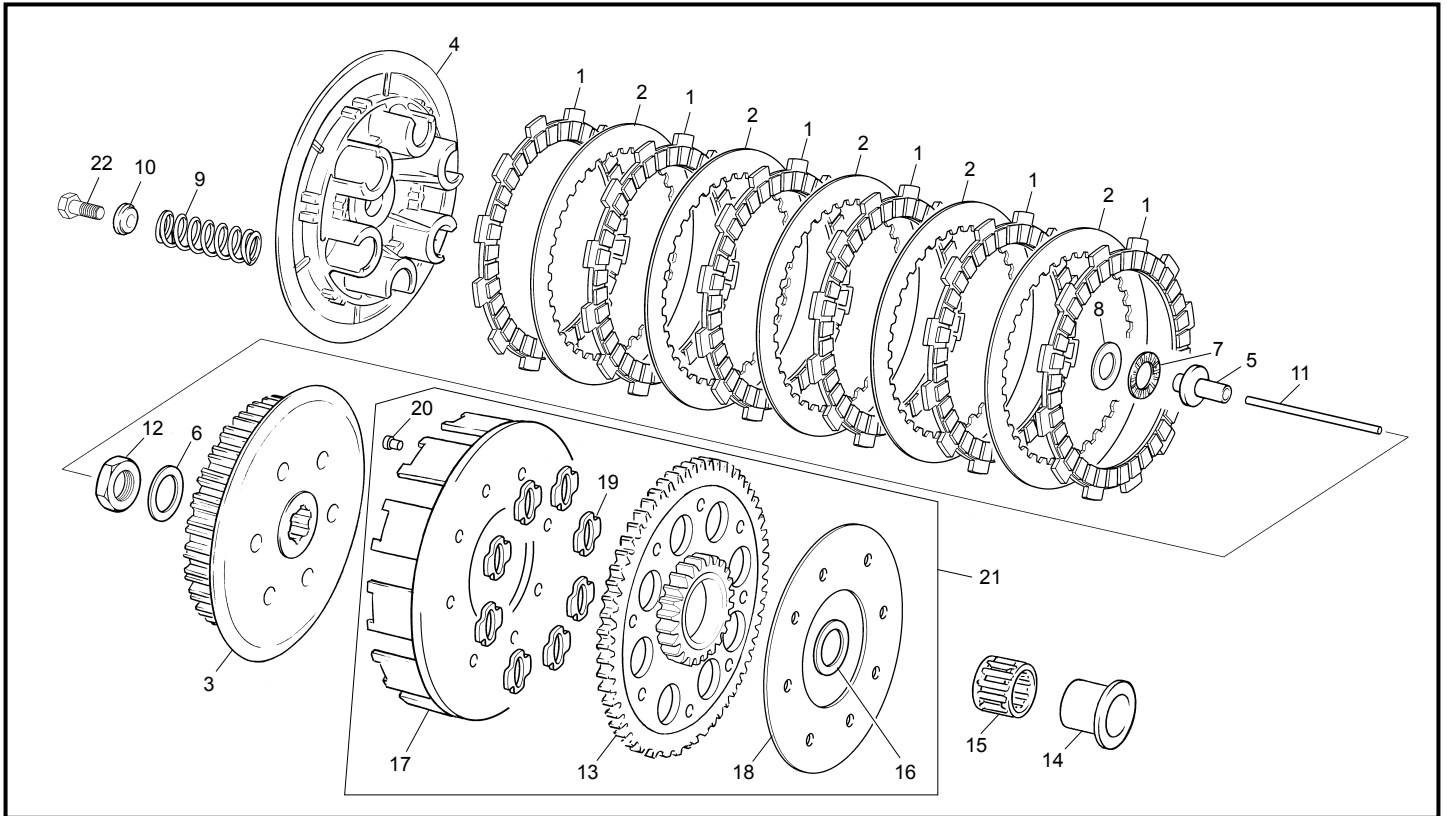
POS.	1.2	2.9	FRANÇAIS	ENGLISH	ESPAÑOL
1	3142	3142	CARTER ALLUMAGE TR 11	IGNITION COVER TR 11	TAPA ENCENDIDO TR 11
2	3146	3129	GP CARTERS CENTRAUX TR 11	CRANCKCASES SET TR 11	CARTERS CENTRALES TR 11
3	3130	3130	CARTER LATERAL DROITE TR 11	BOTTOM CLUTCH COVER TR 11	CARTER LATERAL DERECHO TR 11
4	3131	3131	COUVERCLE EMBRAYAGE TR 11	CLUTCH COVER TR 11	TAPETA EMBRAGUE TR 11
5	3132	3132	COUVERCLE POMPE EAU TR 11	WATER PUMP COVER TR 11	TAPA BOMBA AGUA TR 11
6	M016	M016	RENIFLAR CARTER CENTRAL	AIR VENT CRANCKCASES	DEPRESOR CARTERS
7	M021	M021	BOUCHON REMPLISSAGE HUILE	CARTER FILTER TAP	TAPON LLENADO ACEITE CARTER
8	M022	M022	DOUILLE CENTRAGE CARTER	DOUILLE CENTRAGE CARTER	CASQUILLO CENTRADOR CARTER
9	M363	M363	AXE POMPE EAU EVOLUTION 3	WATER PUMP AXELE EVOLUTION 3	EJE BOMBA AGUA EVOLUTION 3
10	M351	M351	TURBINE POMPE EAU EVOLUTION2	WATERPUMP TURBINE EVOLUTION2	TURBINA BOMBA AGUA EVOLUTION2
11	3133	3133	JOINT COUVERCLE POMPE EAU TR 11	RING WATER PUMP COVER TR 11	JUNTA TAPA BOMBA AGUA TR 11
12	3158	3158	JOINT CARTER ALUMAGE 160X2 TR 11	O-RING IGNITION COVER 160X2 TR11	JUNTA TOR. TAPA ENCEN. 160X2 TR11
13	3151	3134	JOINT CART. CENT. 125/200CC 11 TR	CENT. CRANCK. GASKET 125/200 11TR	JUNTA CARTER CENT. 125/200 11 TR
14	3135	3135	JOINT CARTER LATERAL TR 11	CLUTCH GASKET TR 11	JUNTA CARTER LATERAL TR 11
15	3141	3141	JOINT TORIQUE 160X1.5	O-RING 160X1.5	JUNTA TORICA 160X1.5
16	M162	M162	TORIQUE 10X2.5 BOUCHON HUILE	O-RING 10X2.5 OIL PLUG	TORICA 10X2.5 TAPON ACEITE
17	M017	M017	DURITE RENIFLARD 3X5	TUBE AIR VENT CRANCKCASES 3X5	TUBO DEPRESOR 3X5
19	3128	3128	JOINT DOUBLE LEVRES 17X24X5	OIL SEAL 17X24X5	RETEN DOBLE LABIO 17X24X5
21	M364	M364	PIGNON POMPE EAU NYLON	PINIO WATER PUMP NYLON	PIGNON BOMBA AGUA NYLON
22	0549	0549	VIS TH EP 6 X 45	SREW TH EP 6 X 45	TORNILLO TH EP 6 X 45
23	3235	3235	VIS TH EP 6 X 50	SCREW TH EP M6 X50	TORNILLO TH EP M6 X50
25	3269	3269	VIS CHC 5 X 20 0084	SCREW CHC 5 X 20	TORNILLO 5 X 20 ALLEN
26	M291	M291	GOIJON DE CYLINDRE 8 X 46	STUD CYLINDRE 8 X 46	ESPARRAGO CILINDRO 8 X 46
27	2386	2386	BOUCHON CANALISATION HUILE 6X8	LUBRICATION CAP 6X8	TAPA CANALIZACION 6X8
28	M029	M029	ROUL. AIGUILLE POMPE EAU HK0808	WATER PUMP NEEDLE BEAR. HK 0808	COJ. AGUJAS BOMBA AGUA HK 0808
29	M030	M030	ROND. BUTEE POMPE A EAU 8X16X1	WATERPUMP BUSH 8X16X1	ARANDELA BOMBA AGUA 8X16X1
30	M288	M288	VIS CHC 5X6 1093	SCREW CHC 5X6	TORNILLO CHC 5X6
31	M027	M027	ROUL.BILLE POMPE EAU 608.2RSH	WATER PUMP BEARING 608.2RSH	COJINETE BOMBA AGUA 608.2RSH
32	M031	M031	JOINT POMPE A EAU 8X20X5DL	WATER PUMP SEAL 8X20X5DL	RETEN BOMBA AGUA 8X20X5DL
33	3143	3143	RACCORD DURITE CARTER RAD. 11	WATER CONEXION 11	CONEC. TUBO AGUA CART.-RAD. 11
35	M277	M277	RONDELLE ALU M5 0463 5X10	GASKET RING X5	ARANDELA ALUMINIO X5
36	0550	0550	VIS TH EP 6 X 55	SREW TH EP 6 X 55	TORNILLO TH EP 6 X 55
37	0970	0970	VIS TH EP 6 X 25	SCREW TH EP M6 X 25	TORNILLO TH EP M6 X 25
38	0546	0546	VIS TH EP 6 X 20	SREW TH EP 6 X 20	TORNILLO TH EP 6 X 20

Vilbrequin assemble / Crankshaft assembly / Cigüeñal biela



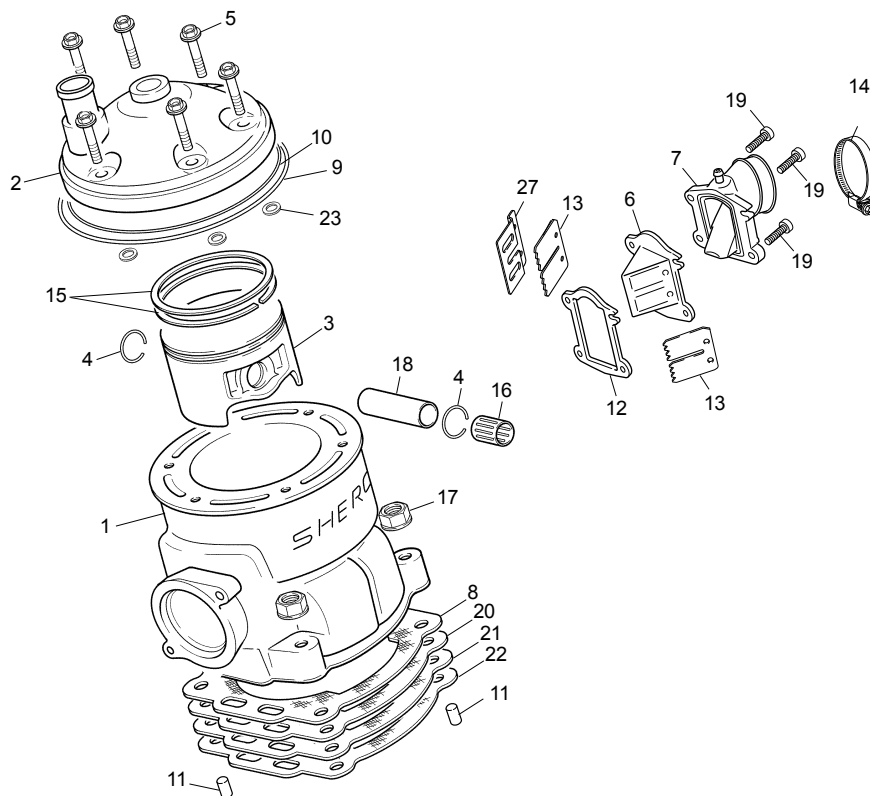
POS.	1.2	2.9	FRANÇAIS	ENGLISH	ESPAÑOL
1	3149	3152	VILEBREQUIN COMPLET 125/200CC 11 TR	CRANCK SHAFT 125/200CC 11 TR	CIGUENAL COMPLETO 125/200CC 11 TR
2	M200	M200	PIGNON PRIMAIRE	PINION PRIMARY DRIVE	PINON PRIMARIA
3	M204	M204	CLAVETTE PIGNON PRIMAIRE	WOODRUFF KEY PRIMARY DRIVE	CHAVETA PINON PRIMARIA
4	R212	R021	KIT BIELLE	ROD KIT	KIT BIELA
5	M023	M023	CLAVETTE DEMI LUNE VILO	WOODRUFF KEY	CHAVETA ENCENDIDO
6	M032	M032	JOINT 25 X 35 X 7 DL VILO	CRANKSHAFT SEAL	RETEN 25 X 35 X 7 DL CIGUE
7	M028	M028	ROULEMENT BILLE VILO 6206.2RSTN9/C4	CRANKSHAFT BEAR. 6206.2RSTN9 C4	COJINETE CIGUENAL 6206.2RSTN9 C4
8	M206	M206	ROND. BELLEVILLE 14.2X28X1.5 REF0887	SPRING WASHER	ARANDELA CONICA 14.2,28X1.5
9	M295	M295	ECROU 14 X 125	HEX NUT M14 X 125	TUERCA M14 X 125
10	C309	C309	BOUCHON PLASTIC DE VILO 2002	HANDCRAFT PLASTIC PLUG 2001	TAPON INTERNO DE CIQUENAL 2001
11	3144	3144	ECROU 14 X 125 H 7.5 TR11	HEX NUT M14 X 125 H 7.5 TR11	TUERCA M14 X 125 H 7.5 TR11

Embrayage / Clutch / Embrague



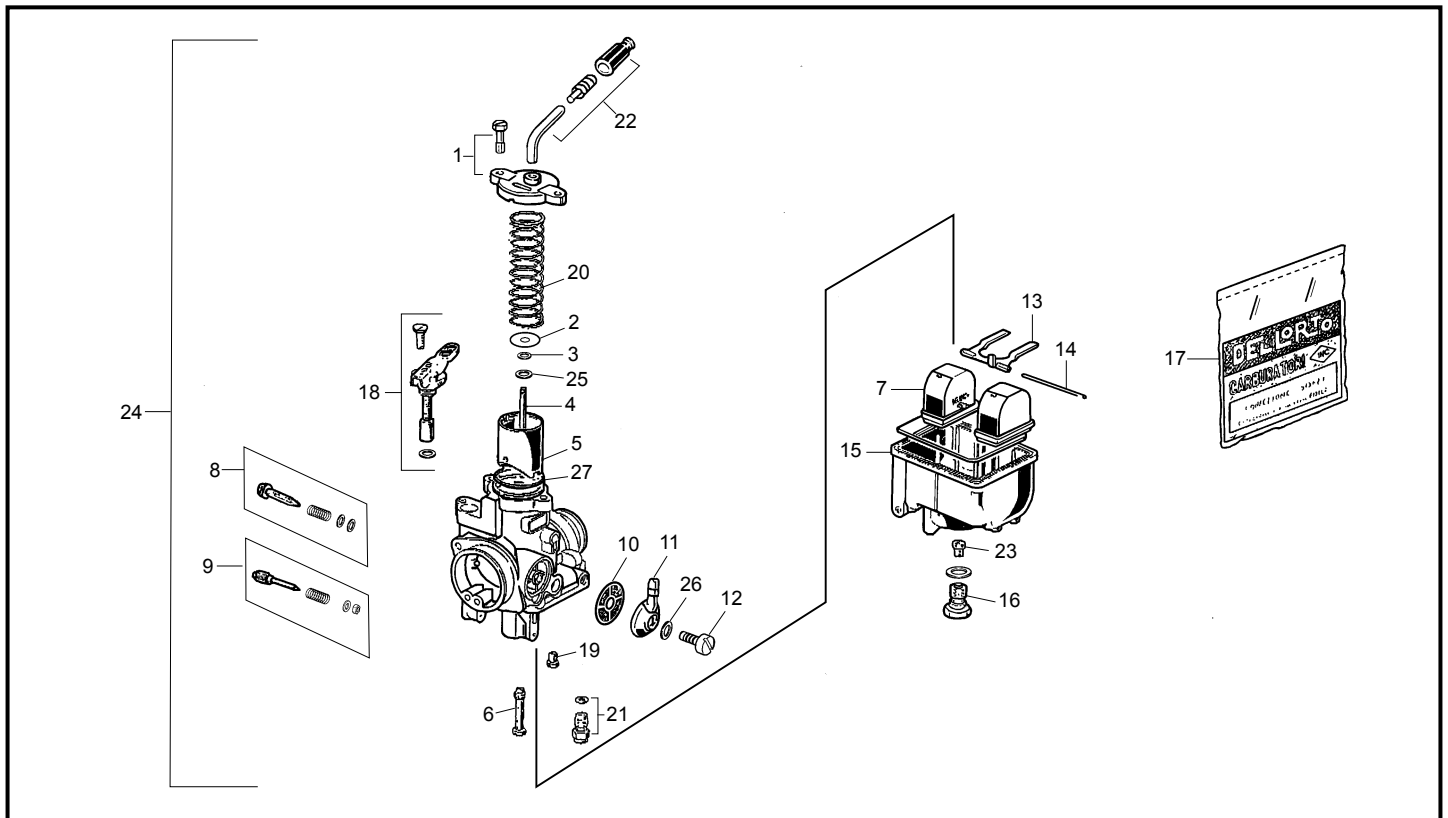
POS.	1.2	2.9	FRANÇAIS	ENGLISH	ESPAÑOL
1	M080	M080	DISQUE GARNI	FRICTION CLUTCH DISK	DISCO EMBRAGUE FORRADO
2	M081	M081	DISQUE LISSE	METAL CLUTCH DISK	DISCO EMBRAGUE METALICO
3	M083	M083	NOYAU	CLUTCH HUB	CUBO EMBRAGUE
4	M084	M084	PLATEAU	CLUTCH SPRING HOLDER	PLATO EMBRAGUE
5	M085	M085	POUSSOIR AXIAL	CLUTCH PULLER	PULSADOR AXIAL
6	M087	M087	RONDELLE BELLEVILLE 16.3X31.5X2	FIXING BUSH 16.3X31.5X1.5	ARANDELLA FIJACION 16.3X31.5X1.5
7	M090	M090	BUTEE AIGUILLE EMBAXK1226A	CLUTCH BEARING	CORONA AXIAL AGUJAS AXK1226A
8	M091	M091	RONDELLE BUTEE AS12.26.1	WASHER AS 12.26.1	ARANDELA AS 12.26.1
9	M092	M092	RESSORT EMB	CLUTCH SPRING	MUELLE EMBRAGUE
10	M093	M093	RONDELLE EMB	CLUTCH WASHER FOR SPRING	ARANDELA EMBRAGUE EMBOUTIDA
11	M086	M086	TIGE DE POUSSEE	CLUTCH SPINDLE	VARILLA EMBRAGUE
12	M293	M293	ECROU NOYAU EMB M16X125	HEX NUT CLUTCH M16X125	TUERCA CUBO EMBRAGUE M16 X125
13	M201	M201	ROUE PRIMAIRE	WHEEL PRIMARY DRIVE	RUEDA PRIMARIA
14	M203	M203	DOUILLE ROUE PRIMAIRE	SPACER PRIMARY DRIVE	CASQUILLO RUEDA PRIMARIA
15	M205	M205	CAGE A AIGUILLE 25X33X24	NEEDLE BEARING 25X33X24	JAULA AGUJAS 25X33X24
16	M208	M208	RONDELLE BUTEE R PRIM INA AS2035	WASHER AS2035	ARANDELA TOPE PRIMARIA INA AS2035
17	M357	M357	CLOCHE EMBRAYAGE 2001	CLUTH PLATE HOLDER 2001	CAMPANA EMBRAGUE 2001
18	M359	M359	PLATEAU METAL TP	STEEL DISK CLUTCH	DISCO ACERO EMBRAGUE
19	M358	M358	SILENBLOC EMBRAYAGE	CLUTCH SILENBLOC	SILENBLOC EMBRAGUE
20	M270	M270	RIVET 4 X 16	RIVET 4 X 10	REMACHE 4 X 10
21	M360	M360	ROUE TRANS PRIMAIRE ASSEMBLE 2001	PRIMARY DRIVE CLUTCH 2001	CTO RUEDA DE TRANS. PRIMARIA 2001
22	M094	M094	VIS EMB	SCREW CLUTCH SPRING	TORNILLOS MUELLE EMBRAGUE

Cylindre / Cylinder / Cilindro



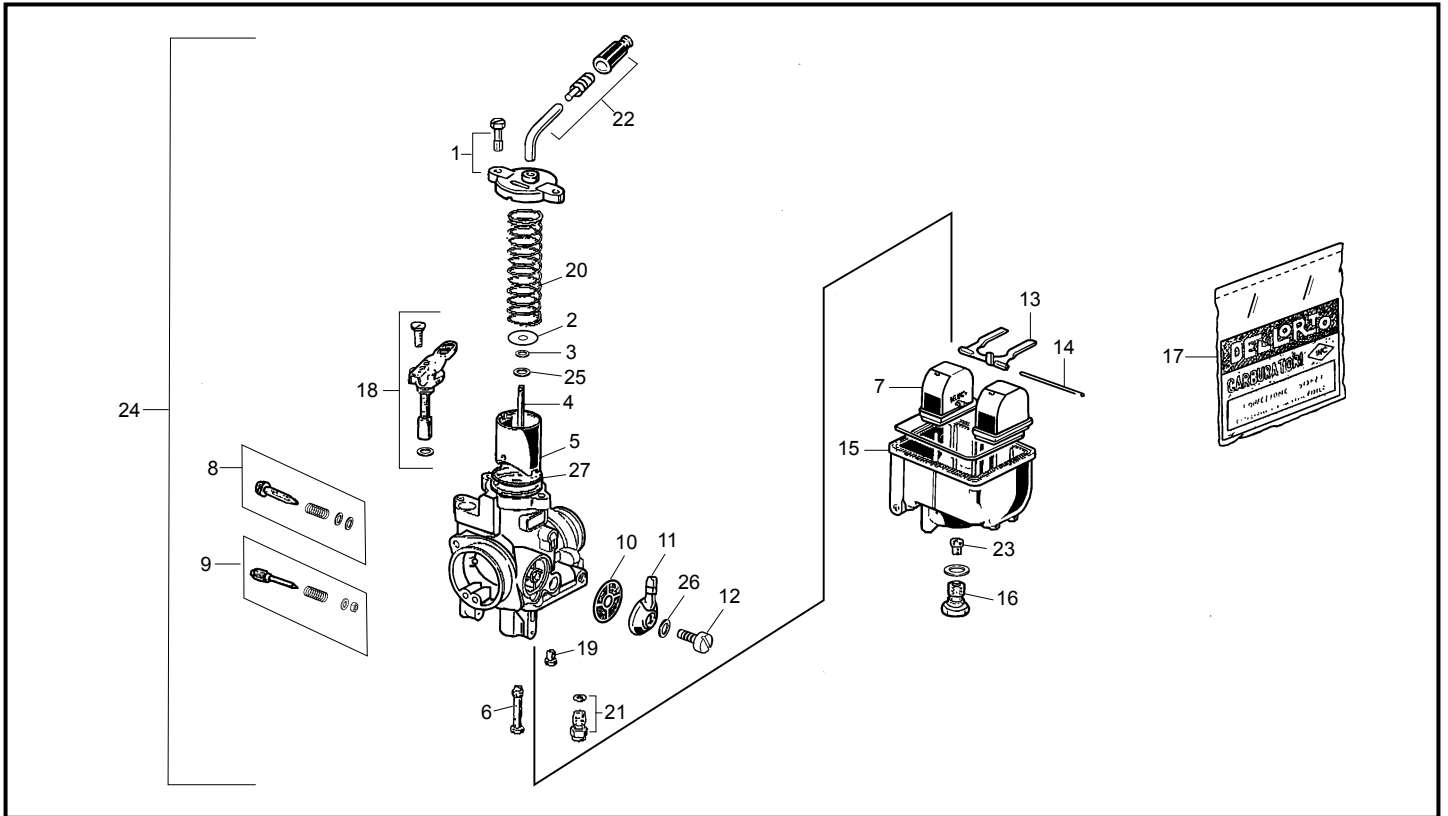
POS.	1.2	2.9	FRANÇAIS	ENGLISH	ESPAÑOL
1	3147	3138	CYLINDRE 11 TR	CILYNDER 11 TR	CILINDRO 11 TR
2	3148	3137	CULASSE 11 TR	CYLINDER HEAD 11 TR	CULATA 11 TR
3	M212	M245	PISTON CPL "A"	PISTON "A"	PISTON "A"
3	M580	M589	PISTON CPL "B"	PISTON "B"	PISTON "B"
3	M581	M590	PISTON CPL "C"	PISTON "C"	PISTON "C"
3	M582	M591	PISTON CPL "D"	PISTON "D"	PISTON "D"
4	R218	R218	CIRCLIP PISTON	PISTON CIRCLIP	SERCLIP PISTON
5	0547	0547	VIS TH EP 6 X 30	SCREW TH EP 6 X 30	TORNILLO TH EP 6 X 30
6	3150	3125	BOITE CLAPETS 80 -125 11 TR	REEDS CASE 80-125 11 TR	CAJA LAMINAS 80-125 11 TR
7	4435	4435	PIPE ADMISSION 2011 CARB 26	ADMISION PIPE 2011 CARB 26	TOBERA ADMISION 2011 CARB 26
8	3024	3025	JOINT EMBASE SIL. CYLIND. 0.5 125 WI	CILYND GASKET SILICON 0.5 125CC WI	JUNTA CILIND SILICONA 0.5 125CC WI
9	M038	M038	JOINT TORIQ. CULASSE 105X109X2 VIT.	CILYND HEAD O-RING 105X109X2 VITON	JUNTA TOR. CULATA 105X109X2 VITON
10	3399	M039	JOINT TORIQ. CULASSE 64X2 VITON	CILYND HEAD O-RING 64 X 2 VITON	JUNTA TORICA CULATA 64 X 2 VITON
11	0200	0200	AIGUILLES 4X9.8 NRB	NEEDL 4X9.8 NRB	AGUJA 4X9.8 NRB
12	3136	3136	JOINT BOITE CLAPET TR 11	REEDS CASE GASKET TR 11	JUNTA CAJA LAMINAS TR 11
13	R022	R022	CLAPET RECHANGE UNITEE	REEDS VALVE SET	LAMINAS RECAMBIO UNIT
14	3287	3287	COLLIER MIKALOR 44	COLLARD MIKALOR 44	ABRAZADERA MIKALOR 44
15	R213	R215	JEUX SEG. 125CC 50712005600K4	SET RINGS 125CC 50712005600K4	JUEGO AROS 125CC 50712005600K4
16	M241	M248	CAGE AIGUILLE PIST. 125 KBK 16X20X20	NEEDLE BEARING KBK 125 16X20X20	JAULA AGUJAS PIST. 125KBK 16X20X20
17	M272	M272	ECROU EMBASE X8 0692	COLLAR HEX NUT M8	TUERCA CON VALONA M8
18	R219	R221	AXE PISTON 125CC	PISTON PIN125CC	BULON PISTON 125CC
19	3269	3269	VIS CHC 5 X 20 0084	SCREW CHC 5 X 20	TORNILLO 5 X 20 ALLEN
20	3186	3189	JOINT EMBASE CYLIND. 125 WI 0.2MM	CILYNDER GASKET 125CC WI 0.2MM	JUNTA CILINDRO 125CC WI 0.2MM
21	3187	3190	JOINT EMBASE CYLIND. 125 WI 0.3MM	CILYNDER GASKET 125CC WI 0.3MM	JUNTA CILINDRO 125CC WI 0.3MM
22	3188	3191	JOINT EMBASE CYLIND. 125 WI 0.4MM	CILYNDER GASKET 125CC WI 0.4MM	JUNTA CILINDRO 125CC WI 0.4MM
23	M040	M040	RONDELLE	WASHER COPPER 6 X 12 X 1.5	ARANDELA
27	3994	3994	TOPE CLAPETS RECHANGE	SUPPORT REEDS VALVES	TOPE LAMINAS

Carburateur / Carburetor / Carburador Ø26



POS.	1.2	2.9	FRANÇAIS	ENGLISH	ESPAÑOL
1	R369	R369	KIT COUVERCLE BOISSEAU	CARBURATOR COVER	TAPA CARBURADOR
2	R370	R370	PLATINE DE RESSORT CARBU	CARBURATOR WASHER SPRING	ARANDELA TOPE AGUJA
3	R371	R371	CLIP AIGUILLE CARBU	CLIP AIGUILLE CARBU	CLIP AGUJA CARB.
4	R372	R372	AIGUILLE CARBU	AIGUILLE CARBU	AGUJA CARBU.
5	R373	R373	BOISSEAU	CARBURATOR VALVE	CAMPANA
6	R374	R374	PULVERISATEUR CARBU 270	CARBURATOR PULVERISATEUR 270	PULVERIZADOR CARBU 270
7	R375	R375	FLOTEUR DE CARBU	CARBURATOR FLOTEUR	BOYA CARBU
8	R376	R376	KIT VIS RGUL GAS CARBU	KIT SCREW REGUL GAS	TORNILLO RALENTI
9	R377	R377	KIT VIS REGUL ESSENCE CARBU	SCREW REGUL PETROL CARBU	TORNILLO AIRE
10	R378	R378	FILTRE ESS CARBU	PETROL FILTER CARBU	FILTRO GASOLINA CARBU
11	R379	R379	PIPETTE RACCORD TUBE ESS CARBU	CARBURATOR CONEXION PETROL TUB	PIPETA TUBO GASOLINA CARBU.
12	R380	R380	VIS PIPETTE CARBU	SCREW CONEXION PERTOL TUB	TORNILLO PIPETA
13	R381	R381	BALAN. DE FLOTEUR CARBU COMP.	BALANC. FLOTEUR CARBU COMPATIBLE	BALANCIN BOYA CARBU. COMPATIBLE
14	R382	R382	AXE BALANCIER FLOTEUR CARBU	PIN BALANCIER FLOTEUR CARBU	EJE BALANCIN FLOTADOR CARBU.
15	R383	R383	CUVE CARBURATEUR	CARBURATORCUVE	CUBA CARBURADOR
16	R384	R384	VIS FIXATION CUVE	SCREW FIXATION CUVE	TORNILLO CUBA CARBU
17	R385	R385	OBSOLETE VER R169 KIT JOINT CAR. 4T	CARBURATOR KIT SEEL 4T	KIT JUNTAS CARBURADOR 4T
18	R147	R147	GROUPE STARTER	CHOKE SET REPLACEMENT	CTO STARTER RECAMBIO
19	----	R140	GICLEUR RALENTI 30	PILOT JET 30	CHICLE RALENT 30
19	R142	R142	GICLEUR RALENTI 32	PILOT JET 32	CHICLE RALENT 32
19	R143	R143	GICLEUR RALENTI 33	PILOT JET 33	CHICLE RALENTI 33
19	R144	R144	GICLEUR RALENTI 34	PILOT JET 34	CHICLE RALENTI 34
19	R145	R145	GICLEUR RALENTI 35	PILOT JET 35	CHICLE RALENTI 35
19	R146	R146	GICLEUR RALENTI 36	PILOT JET 36	CHICLE RALENTI 36
19	R148	----	GICLEUR RALENTI 40	PILOT JET 40	CHICLE RALENTI 40
20	M044	M044	RESSORT CARBURATEUR	SPRING CARBURETOR	MUELLE CARBURADOR
21	2389	2389	POINTEAU CARBU 200	POINTEAU CARBU 200	VALVULA AGUJA 200
22	R237	R237	KIT TUBE CARBURATEUR	KIT TUB CARBURATEUR	CURVA GUIA CABLE
23	----	R122	GICLEUR PRINCIPAL 122	MAIN JET 122	CHICLE PRINCIPAL 122
23	NEW	----			
23	R120	R120	GICLEUR PRINCIPAL 120	MAIN JET 120	CHICLE PRINCIPAL 120
23	R121	R121	GICLEUR PRINCIPAL 121	MAIN JET 121	CHICLE PRINCIPAL 121
23	R123	R123	GICLEUR PRINCIPAL 123	MAIN JET 123	CHICLE PRINCIPAL 123
23	R124	R124	GICLEUR PRINCIPAL 124	MAIN JET 124	CHICLE PRINCIPAL 124

Carburateur / Carburetor / Carburador Ø26



POS.	1.2	2.9	FRANÇAIS	ENGLISH	ESPAÑOL
23	R125	R125	GICLEUR PRINCIPAL 125	MAIN JET 125	CHICLE PRINCIPAL 125
23	R126	R126	GICLEUR PRINCIPAL 126	MAIN JET 126	CHICLE PRINCIPAL 126
23	R127	R127	GICLEUR PRINCIPAL 127	MAIN JET 127	CHICLE PRINCIPAL 127
23	R128	R128	GICLEUR PRINCIPAL 128	MAIN JET 128	CHICLE PRINCIPAL 128
23	R129	R129	GICLEUR PRINCIPAL 129	MAIN JET 129	CHICLE PRINCIPAL 129
23	R130	R130	GICLEUR PRINCIPAL 130	MAIN JET 130	CHICLE PRINCIPAL 130
24	3020	3020	CARBURATEUR COMPLET PHBL26BS	A CARBURETOR COMPLETE PHBL26BS	CARBURADOR COMPLETO PHBL26BS
25	1251	1251	ROND. AIGUILLE CARBU 2.9 3X6X0,50	WASHER PLAINCARBU 2.9 3X6X0,50	ARANDELA AGUJA CARBU 2.9 3X6X0,50
26	4000	4000	RONDELLE PAPIER 6 X 10 X 1	WASHER PAPER 6 X 10 X 1	ARANDELA PAPEL 6 X 10 X 1
27	4006	4006	JOINT TORIQUE 27.5X31.5X2 NBR	O-RING 27.5X31.5X2 NBR	JUNTA TORICA 27.5X31.5X2 NBR



X-RIDE

2012

SHERCO
www.sherco.com

created by: www.ciandisseny.com

MINERVA OIL

MICHELIN