

# **SHERCO**

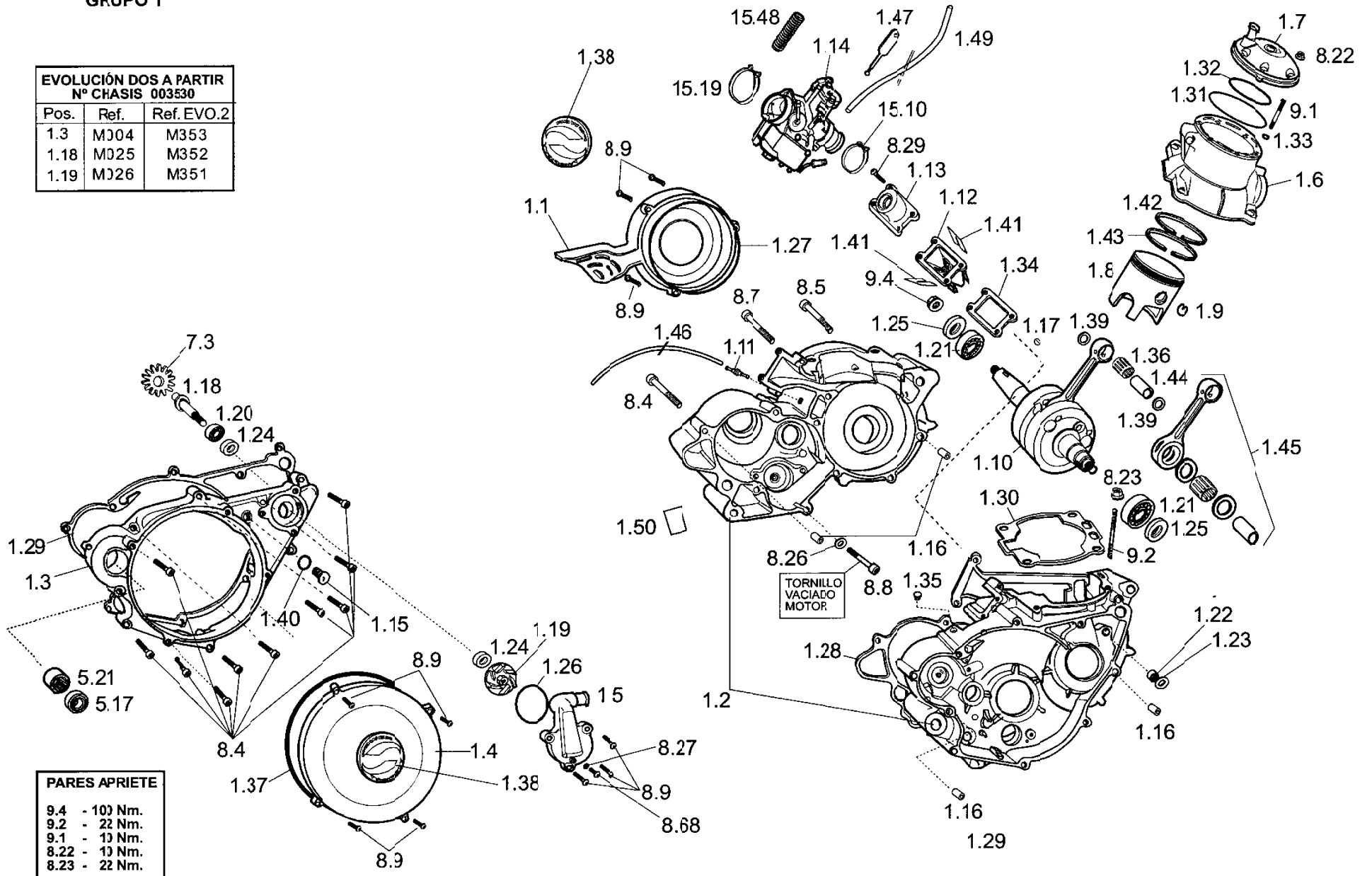
*Motorcycles*

*Spare part's book 2001*

1.25 | 2.0 | 2.5 | 2.9

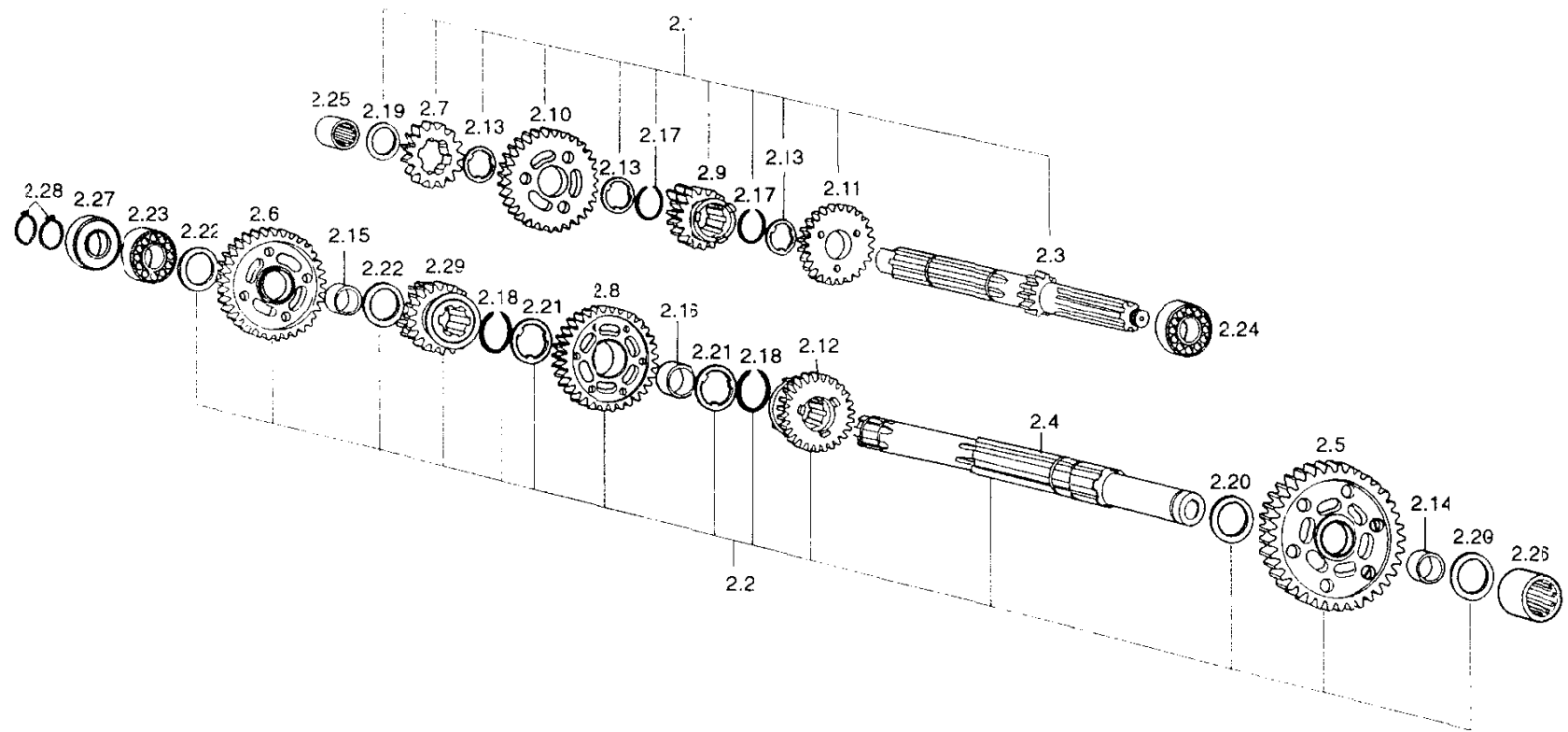
**GRUPO 1**

EVOLUCIÓN DOS A PARTIR Nº CHASIS 003530		
Pos.	Ref.	Ref. EVO.2
1.3	MJ04	M353
1.18	MJ25	M352
1.19	MJ26	M351



REFERENCIAS					ESPAÑOL	ENGLISH	FRANÇAIS
POS.	1.2	2.0	2.5	2.9			
1.1				M001	TAPA ENCENDIDO	IGNITION COVER	CARTER ALLUMAGE
1.2	M210	M210	M002	M002	CARTERS CENTRALES	CRANCKCASES SET	GROUPE CARTERS CENTRAUX
1.3				M353	CARTER LATERAL DERECHO	BOTTOM CLUTCH COVER	CARTER LATERAL DROIT
1.4				M005	TAPETA EMBRAGUE	CLUTCH COVER	COUVERCLE EMBRAYAGE
1.5				M006	TAPA BOMBA AGUA	WATER PUMP COVER	COUVERCLE POMPE EAU
1.6	M214	M215	M007	M246	CILINDRO	CYLINDER	CYLINDRE
1.7	M216	M217	M008	M247	CULATA	CYLINDER HEAD	CULASSE
1.8	M212	M213	M009	M245	PISTON	PISTON	PISTON COMPLET
1.9	R218	R218	M013	M013	SERCLIP PISTON	PISTON CIRCLIP	CIRCLIPS PISTON
1.10	M211	M211	M014	M014	CIGUENAL COMPLETO	CRANK SHAFT ASSY	VILEBREQUIN COMPLET
1.11				M016	TUBO DEPRESOR CARTERS	CRANKCASE BREATHER	RENIFLAR CARTER CENTRAL
1.12				M018	CAJA DE LAMINAS COMPLETA	REEDS CASE	BOITE A CLAPETS
1.13				M019	TOBERA ADMISION	ADMISSION PIPE	PIPE ADMISSION
1.14				M020	CARBURADOR COMPLETO	CARBURETOR COMPLETE	CARBURATEUR COMPLET
1.15				M021	TAPON LLENADO ACEITE CARTER	CARTER FILTER TAP	BOUCHON REMPLISSAGE HUILE
1.16				M022	CASQUILLO CENTRADOR CARTER	DOUILLE CENTRAGE CARTER	DOUILLE CENTRAGE CARTER
1.17				M023	CHAVETA ENCENDIDO	WOODRUFF KEY	CLAVETTE DEMI LUNE VIL
1.18				M352	EJE BOMBA AGUA	WATERPUMP AXLE	AXE POMPE A EAU
1.19				M351	TURBINA BOMBA AGUA	WATERPUMP TURBINE	TURBINE DE POMPE A EAU
1.20				M027	COJINETE BOMBA AGUA 608 2RS	WATERPUMP BEARING	ROULEMENT BILLE POMPE EAU 608.2RS
1.21	M218	M218	M028	M028	COJINETE CIGUENAL 6206 C3	CRANKSHAFT BEARING	ROULEMENT BILLE VLO 6206.C3
1.22				M029	COJINETE AGUJAS BOMBA AGUA HK0808B	WATERPUMP NEEDLE BEARING	ROULEMENT AIGUILLE POMPE EAU
1.23				M030	ARANDELA BOMBA AGUA 8X16X1	WATERPUMP BUSH 8X16X1	RONDILLE BUTEE POMPE A EAU 8x16x1
1.24				M031	RETEN BOMBA AGUA	WATERPUMP SEAL	JOINT LEVRE POMPE A EAU 8x20x5DL
1.25	M219	M219	M032	M032	RETEN CIGUENAL	CRANKSHAFT SEAL	JOINT LEVRE VILO 24x40x7DL
1.26				M033	JUNTA TORICA TAPA BOMBA AGUA	O-RING WATERPUMP COVER	JOINT TORIQUE COUVERCLE POMPE
1.27				M034	JUNTA TORICA TAPA ENCENDIDO	O-RING IGNITION COVER	JOINT TORIQUE COUVERCLE ALLUMAGE
1.28	M220	M220	M035	M035	JUNTA CARTER CENTRAL	CENTRAL CRANCKCASE GASKET	JOINT CARTER CENTRAL
1.29				M036	JUNTA CARTER LA'ERAL	CLUTCH GASKET	JOINT CARTER LATERAL
1.30	M221	M221	M037	M037	JUNTA CILINDRO	CYLINDER GASKET	JOINT EMBASE CYLINDRE
1.31	M222	M222	M222	M038	JUNTA TORICA CULATA EXTERIOR	CYLINDER HEAD O-RING	JOINT TORIQUE CULASSE VITON
1.32	M223	M223	M223	M039	JUNTA TORICA CULATA INTERIOR	CYLINDER HEAD O-RING	JOINT TORIQUE CULASSE VITON
1.33				M040	JUNTA TORICA ESFARRAGO CULATA 5,7X1,9	CYLINDER HEAD O-RING BOLT 5,7X1,9	JOINT TORIQUE CYLINDRE 5,7x1,9
1.34				M041	JUNTA CAJA LAMINAS	REEDS CASE GASKET	JOINT BOITE CLAPET
1.35				M042	TAPON ACEITE CARTER CENTRAL	CRANKCASE OIL PLUG	BOUCHON CIRCUIT HUILE CARTER CENT
1.36	M241	M241	M043	M248	COJINETE AGUJAS PISTON KBK 18X22X24	PISTON NEEDLE BEARING	CAGE AIGUILLE PISTON KBK 18x22x24
1.37				M045	JUNTA TORICA 155X2 TAPA EMBRAGUE	O-RING 155x2	JOINT TORIQUE 155x2
1.38	C189	C190	C187	C188	ADHESIVO CARTER	TIUMBS ENGINE STICKER	ADESIF RESINE
1.39		M354			ARANDELA ESPECIAL PISTON	GUDGEON PIN SHIMS	RONDILLE SPECIAL PISTON
1.40				M162	JUNTA TORICA TAPON ACEITE	O-RING	TORIQUE 10x2.5 BOUCHON HUILE
1.41				R022	JUEGO LAMINAS	REED VALVES	CLAPET RECHANGE
1.42				R011	ARO L	RING L	SEGMENT L
1.43	R213	R214	R012	R215	ARO RECTANGULAR	RING NORMAL	SEGMENT RECTANGULAIRE
1.44	R219	R220	R013	R221	BULON PISTON	PISTON PIN	AXE DE PISTON
1.45	R212	R212	R021	R021	KIT BIELA	CRANCKSHAFT REPAIR KIT	KIT BIELLE
1.46				M017	TUBO DEPRESOR 3X5	CRANKCASE BREATHER PIPE	DURITE RENIFLAR 3X5
1.47				M015	TIRADOR STARTER	CHOKE LEVER TAG	LEVIER STARTER
1.49				M012	TUBO GASOLINA CARBURADOR	RUBBER TUB PETROL	DURITE ESSENCE CARBURATEUR
1.48				M044	MUELLE CARBURADOR	SPRING CARBURETOR	RESSORT CARBURATEUR
1.50				M079	ADESIVO OIL OUT	STICKER OIL OUT	ADESIF OIL OUT

GRUPO 2

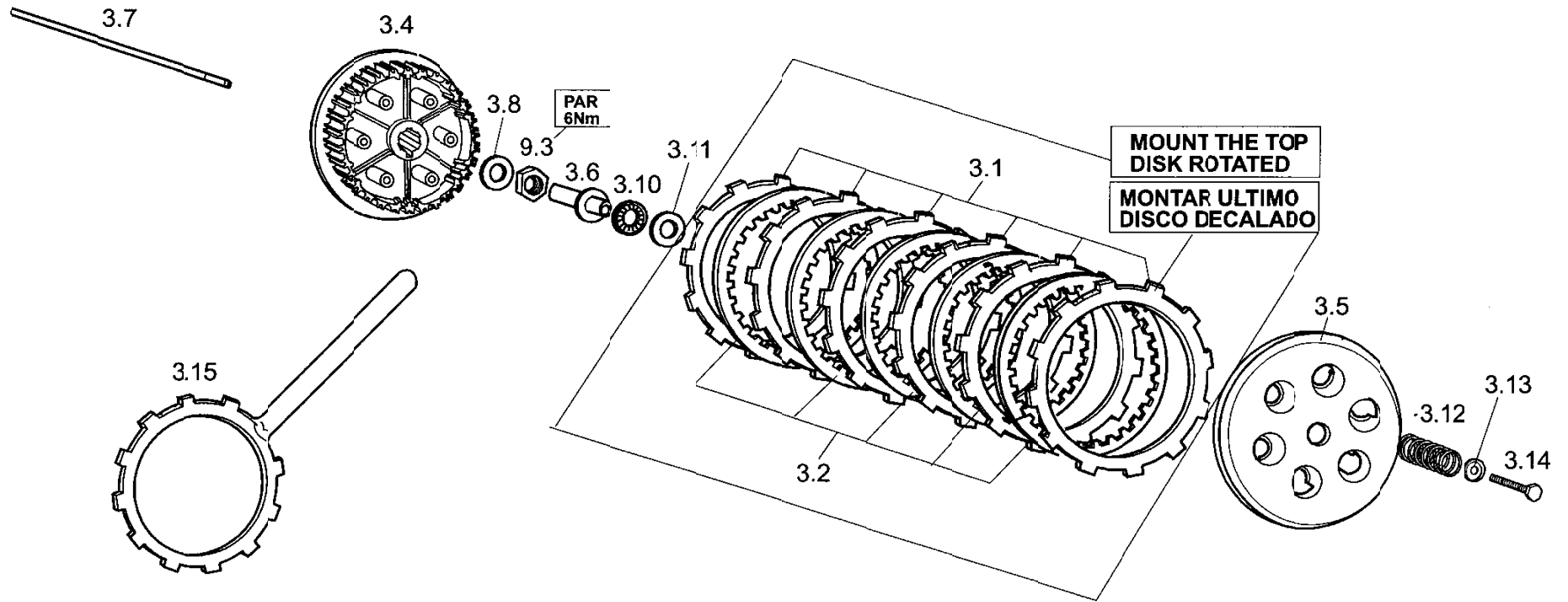




# CAJA DE CAMBIOS

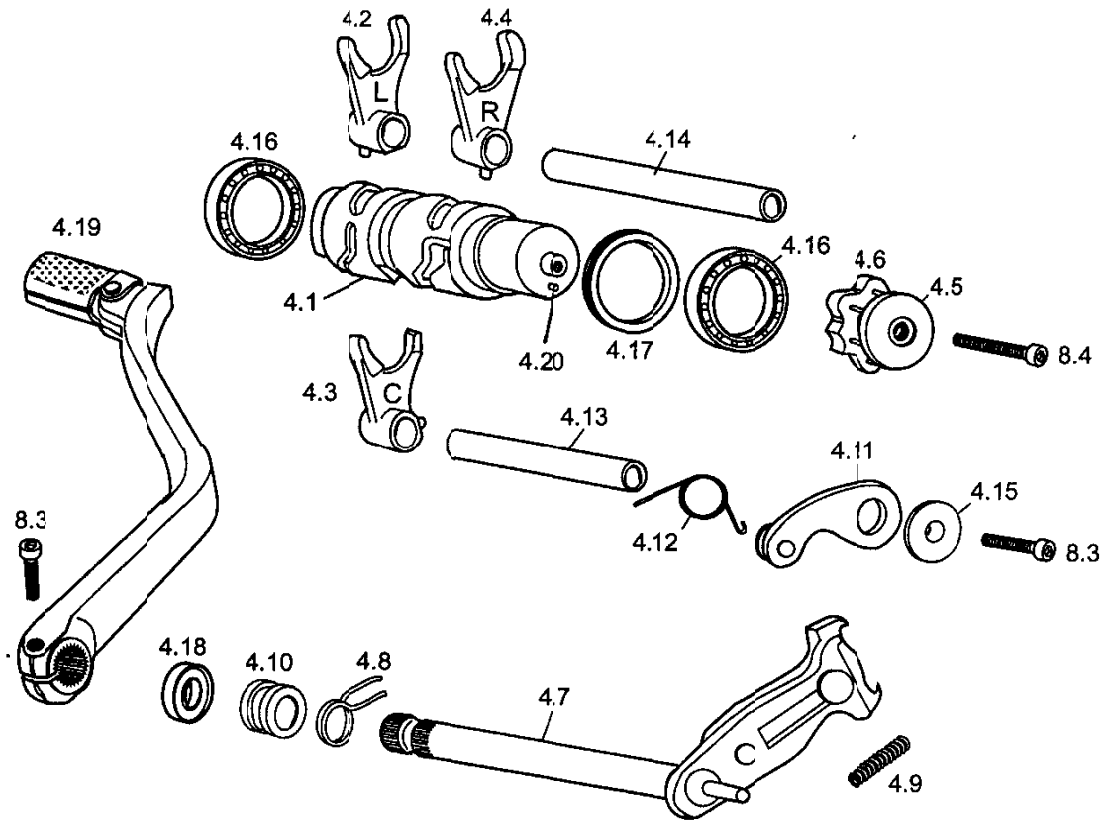
REFERENCIAS					ESPAÑOL	ENGLISH	FRANÇAIS
POS.	1.2	2.0	2.5	2.9			
2.1				M050	CJTO EJE PRIM. CAMBIO	GROUP FIRST SHAFT WITH PINION	ENSEMBLE ARBRE PRIMAIRE
2.2				M051	CJTO EJE SECUN. CAMBIO	GROUP SECOND SHAFT WITH PINION	ENSEMBLE ARBRE SECONDAIRE
2.3				M053	EJE PRIMARIO	CLUTCH SHAFT	ARBRE PRIMAIRE ET PIGNON DE 1ERE
2.4				M054	EJE SECUNDARIO	MAINSHAFT	ARBRE SECONDAIRE
2.5				M055	CORONA DE 1a	FREE PINION 1ER	ROUE LIBRE DE 1ERE
2.6				M056	CORONA DE 2a	FREE PINION 2EME	ROUE LIBRE DE 2EME
2.7				M057	PINON DE 2a	GEAR PINION 2EME	PIGNON FIXE DE 2EME
2.8				M058	CORONA DE 3a	FREE PINION 3EME	ROUE LIBRE DE 3EME
2.9				M059	PINON DESPLAZABLE 3a	GEAR PINION 3EME	PIGNON BALADEUR DE 3EME
2.10				M061	CORONA DE 5a	FREE PINION 5EME	ROUE LIBRE DE 5EME
2.11				M062	PINON DE 4a	GEAR PINION 4EME	PIGNON LIBRE DE 4EME
2.12				M063	CORONA DESPLAZABLE DE 4a	FREE PINION 4EME	ROUE BALADEUSE DE 4EME
2.13				M064	ARANDELA ESTRIADA	GEAR WASHER	RONDELLE CRENEAUX 20x24x1
2.14				M065	CASQUILLO ANTI-FRICCION 1a	BUSH 1ERE	DOUILLE ANTI FRICTION 1ERE
2.15				M066	CASQUILLO ANTI-FRICCION 2a	BUSH 2EME	DOUILLE ANTI FRICTION 2EME
2.16				M067	CASQUILLO ANTI-FRICCION 3a	BUSH 3EME	DOUILLE ANTI FRICTION 3EME
2.17				M068	SEGER WR 20	RETAINING WR 20	SEGMENT ARRET WR20
2.18				M069	SEGER WR 22	RETAINING WR 22	SEGMENT ARRET WR22
2.19				M070	ARANDELA INA EJE PRIMARIO 27,8X15X1	THRUST WASHER 28,7X15X1	RONDELLE INA ARBRE PRIMAIRE 27,8X15X1
2.20				M071	ARANDELA EJE SECUNDARIO	MAINSHAFT WASHER	RONDELLE ARBRE SECONDAIRE 17x27x1
2.21				M072	ARANDELA ESTRIADA EJE SECUNDARIO	WASHER	RONDELLE CRENEAU ARBRE
2.22				M073	ARANDELA EJE SECUNDARIO	MAINSHAFT WASHER	RONDELLE ARBRE SECONDAIRE 20x27x1
2.23				M074	COJINETE 20X47X14 6204 C3	BEARING 20x47x14	ROULEMENT 20x47x14
2.24				M075	COJINETE 20X47X14 6204 RS	BEARING 20x47x14RSR	ROULEMENT 20x47x14 RSR
2.25				M076	CASQUILLO DE AGUJAS 15X21X12	NEEDLE BEARING 15x21x12	DOUILLE AIGUILLE 15x21x12
2.26				M077	CASQUILLO DE AGUJAS HK1712B	NEEDLE BEARING 17x23x12	DOUILLE AIGUILLE HK1712B
2.27				M078	RETEN DOBLE LABIO 20X30X7	OIL SEAL 20x30x7	JONT DOUBLE LEVRE 20x30x7
2.28				M350	SEGMENT ARRET WR19	SEGMENT ARRET WR 19	SEGMENT ARRET WR20 SORTIE BOITE
2.29				M060	PINON DE 5a	GEAR PINION 5EME	PIGNON LIBRE DE 5EME

GRUPO 3





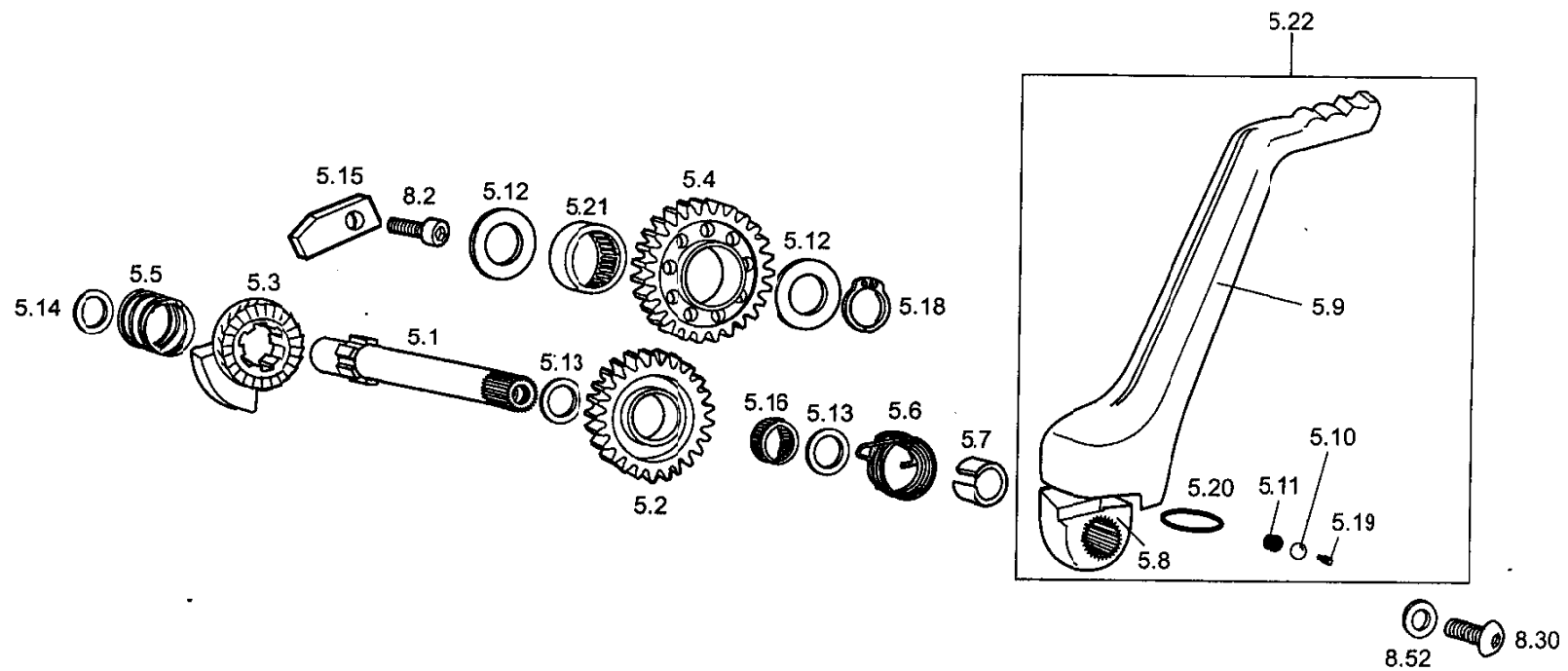
GRUPO 4



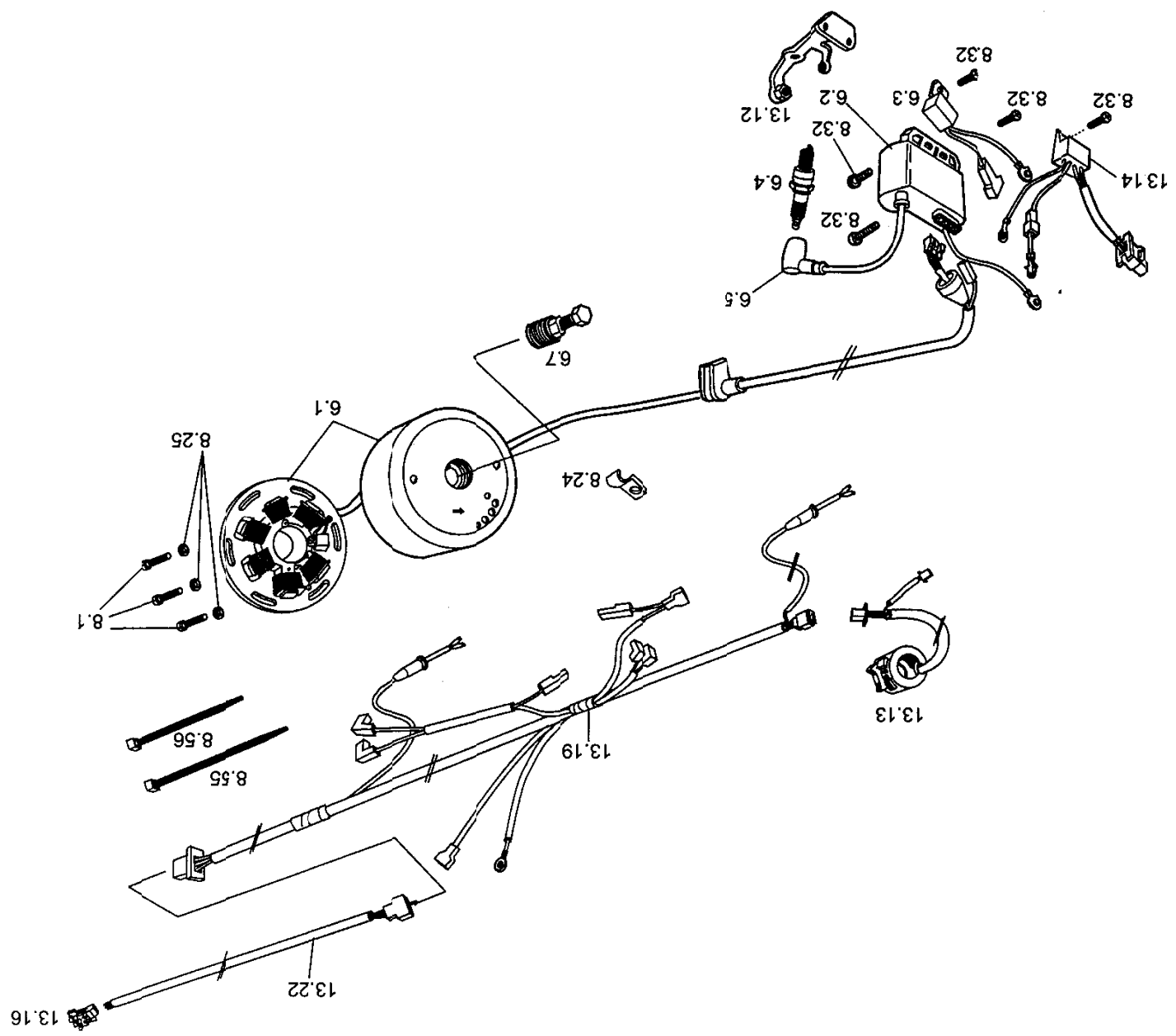




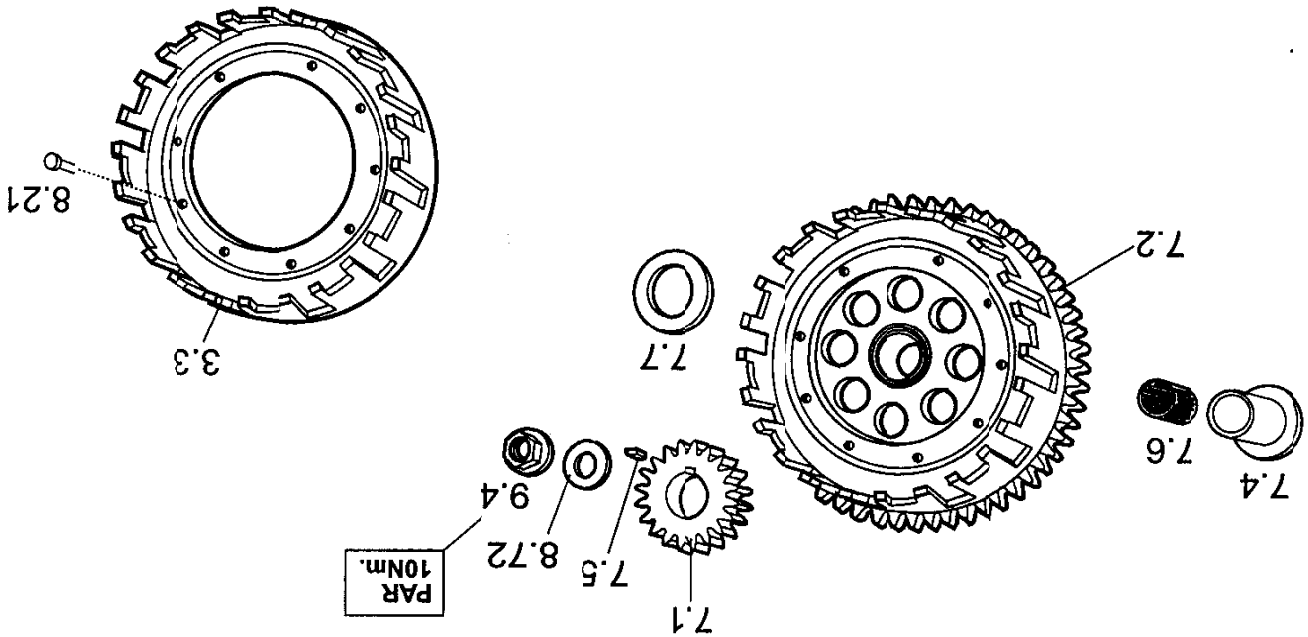
GRUPO 5













POS.	REFERENCIAS				ESPAÑOL	ENGLISH	FRANÇAIS
	1.2	2.0	2.5	2.9			
8.1				M250	TORNILLO M5X16 DIN 912	SCREW CHC 5x16	VIS CHC 5x16
8.2				M251	TORNILLO M6X16 DIN 912	SCREW CHC 6x16	VIS CHC 6x16
8.3				M252	TORNILLO M6X20 DIN 912	SCREW CHC 6x20	VIS CHC 6x20
8.4				M253	TORNILLO M6X30 DIN 912	SCREW CHC 6x30	VIS CHC 6x30
8.5				M254	TORNILLO M6X55 DIN 912	SCREW CHC 6x55	VIS CHC 6x55
8.7				M256	TORNILLO M6X45 DIN 912	SCREW CHC 6x45	VIS CHC 6x45
8.8				M257	TORNILLO M6X60 DIN 912	SCREW CHC 6x60	VIS CHC 6x60
8.9				M258	TORNILLO M5X16 ULS	SCREW CHC 5x16	VIS BHC 5x16
8.10				M259	TORNILLO M10X50 DIN 912	SCREW CHC 10x50	VIS CHC 10x50
8.11				M250	TORNILLO M8X12 DIN 912	SCREW CHC 8x12	VIS CHC 8x12
8.13				M252	TORNILLO M8X30 DIN 912	SCREW CHC 8x30	VIS CHC 8x30
8.14				M253	TORNILLO M8X40 DIN 912	SCREW CHC 8x40	VIS CHC 8x40
8.15				M254	TORNILLO M8X45 DIN 912	SCREW CHC 8x45	VIS CHC 8x45
8.16				M255	TORNILLO M8X60 DIN 912	SCREW CHC 8x60	VIS CHC 8x60
8.17				M256	TORNILLO M8X80 DIN 912	SCREW CHC 8x80	VIS CHC 8x80
8.18				M257	TORNILLO M4X16 DIN 912	SCREW VIS CHC 4x16	VIS CHC 4x16
8.21				M270	REMACHE 4X10	RIVET 4X10	RIVET 4X10
8.22				M271	TUERCA M6 CON VALONA DIN 6923B	COLLAR HEX NUT M6	ECROU EMBASE x6
8.23				M272	TUERCA M8 CON VALONA DIN 6923B	COLLAR HEX NUT M8	ECROU EMBASE x8
8.24				M273	BRIDA NORMA BSL1X8	CAVALIER NORMA BSL 1x8	CAVALIER NORMA BSL x8
8.25				M275	ARANDELA 5 DIN125 A	WASHER x5	RONDELLE x5
8.26				M276	ARANDELA 6 ALUMINIO	GASKET RING x6	RONDELLE ALU M 6
8.27				M277	ARANDELA 5 ALUMINIO	GASKET RING x5	RONDELLE ALU M 5
8.28				M278	TORNILLO M5X10 ULS	SCREW BHC 5x10	BHC 5x10
8.29				M279	TORNILLO M6X20 ULS	SCREW BHC 6x20	VIS BHC 6x20
8.30				M290	TORNILLO M8X16 ULS	SCREW BHC 8x16	VIS BHC 8x16
8.31				M291	TORNILLO M8X12 ULS	SCREW BHC 8x12	VIS BHC 8x12
8.32				M292	TORNILLO M6X10 ULS	SCREW BHC 6x10	VIS BHC 6x10
8.33				M293	TORNILLO M6X16 ULS	SCREW BHC 6x16	VIS BHC 6x16
8.34				M294	TORNILLO M6X25 ULS	SCREW BHC 6x25	VIS BHC 6x25
8.37				M300	TORNILLO M8X35 DIN 7991	SCREW FHC 8x35	VIS FHC 8x35
8.38				M301	TORNILLO M8X20 DIN 7991	SCREW FHC 8x20	VIS FHC 8x20
8.39				M302	TORNILLO M5X12 DIN 933	SCREW HEXAG 5x12	VIS HEXAG 5x12
8.40				M303	TORNILLO M8X25 DIN 933	SCREW HEXAG 8x25	VIS HEXAG 8x25
8.41				M304	TUERCA NYLSTOP M10	NUT NYLSTOP M10	ECROU NYLSTOP M10
8.42				M305	TUERCA NYLSTOP M8	NUT NYLSTOP M8	ECROU NYLSTOP M8
8.43				M306	TUERCA NYLSTOP M6	NUT NYLSTOP M6	ECROU NYLSTOP M6
8.44				M307	TUERCA NYLSTOP M4	NUT NYLSTOP M4	ECROU NYLSTOP M4
8.45				M308	TUERCA CLIP M6	NUT CLIP M6	ECROU CLIP M6
8.46				M310	TUERCA REBAJADA M14X150	NUT PLAT M14 x 150	ECROU PLAT M14x150
8.47				M314	ARANDELA X 17 DIN 125 E	WASHER x17	RONDELLE x17
8.48				M315	ARANDELA X 10 DIN 125 E	WASHER x10	RONDELLE x10
8.49				M316	ARANDELA X 8 DIN 125 E	WASHER x 8	RONDELLE x8
8.50				M317	ARANDELA X 6 DIN 125 E	WASHER x 6	RONDELLE x6
8.51				M318	ARANDELA 4X12X1 DIN 9021	WASHER 4x12	RONDELLE 4x12
8.52				M319	ARANDELA 8X18X1.5 CONICA DIN	WASHER 8x18x1.5	RONDELLE 8x18x1.5
8.53				M320	ARANDELA 10X30	WASHER 10x30	RONDELLE 10x30
8.54				M321	ARANDELA 6X18X1.5 DIN 9021	WASHER 6x18	RONDELLE 6x18
8.55				M330	BRIDA 178X4.8	COLLIER 178x4.8	COLLIER 178x4.8
8.56				M331	BRIDA 100X2.5	COLLIER 80x2.5	COLLIER 100x2.5
8.57				M335	TORNILLO CHAPA 3.9X16	SCREW TOLE 3.9x16	VIS TOLE 3.9x16



8.58			M336	TORNILLO CHAPA 2.9X9.5 RADIADOR	SCREW TOLE 2.9x9.5	VIS TOLE 2.9x9.5
8.60			M341	REMACHE 4.8X16 ALA ANCHA	RIVET 4.8x16	RIVET 4.8X16
8.63			M309	TUERCA M6	M6 NUT	ECROU M6
8.64			M311	TUERCA M5	M5 NUT	ECROU M5
8.65			M287	TORNILLO CORONA M6X22 ULS	SCREW BHC 8X22	VIS BHC 8X22
8.66			M249	TORNILLO M6X20 DIN 6912	SCREW CHC 6X20	VIS CHC TETE BASSE 6X20
8.67			M345	TORNILLO CARROCERIA M6X12		VIS BHC 6X12 CAROSSERIE
8.68			M288	TORNILLO 5X6 ULS	SCREW BHC 5X6	VIS BHC 5X5
8.69			M344	TORNILLO M8X16 DIN 6912		VIS CHC 8X16 TETE BASSE
8.70			M289	TORNILLO M6X12 ULS		VIS BHC M6X12
8.71			M343	TORNILLO M6X35 ULS		VIS BHC 6X35
8.72			M206	ARANDELA CONICA 14.2X25X1.5	SPRING WASHER	RONDELLE BELLEVILLE 14.2X28X1.5
8.73			M342	TORNILLO CHAPA 3.5X9.5		VIS TOLE 3.5X9.5
8.74			M274	ARANDELA DENTADA 6 DIN 67985		RONDELLE GROSVIER X6 DIN 67985

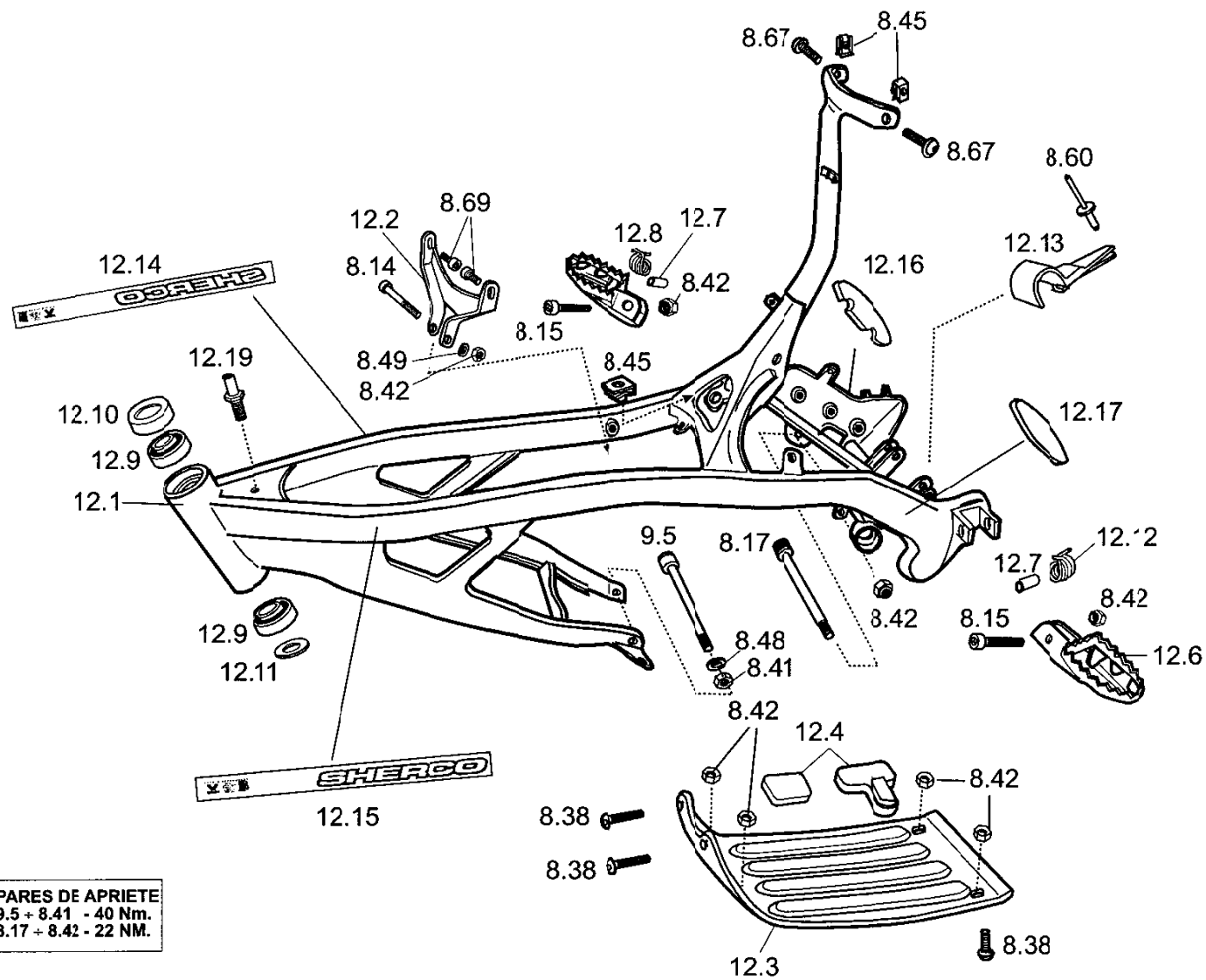
PARES APRIETE			
TONILLO M5-8 Nm	TORNILLO M6-12 Nm	TORNILLO M8-22Nm	TORNILLO M10-50 Nm

# SHERCO

## TORNILLERIA ESPECIAL 9

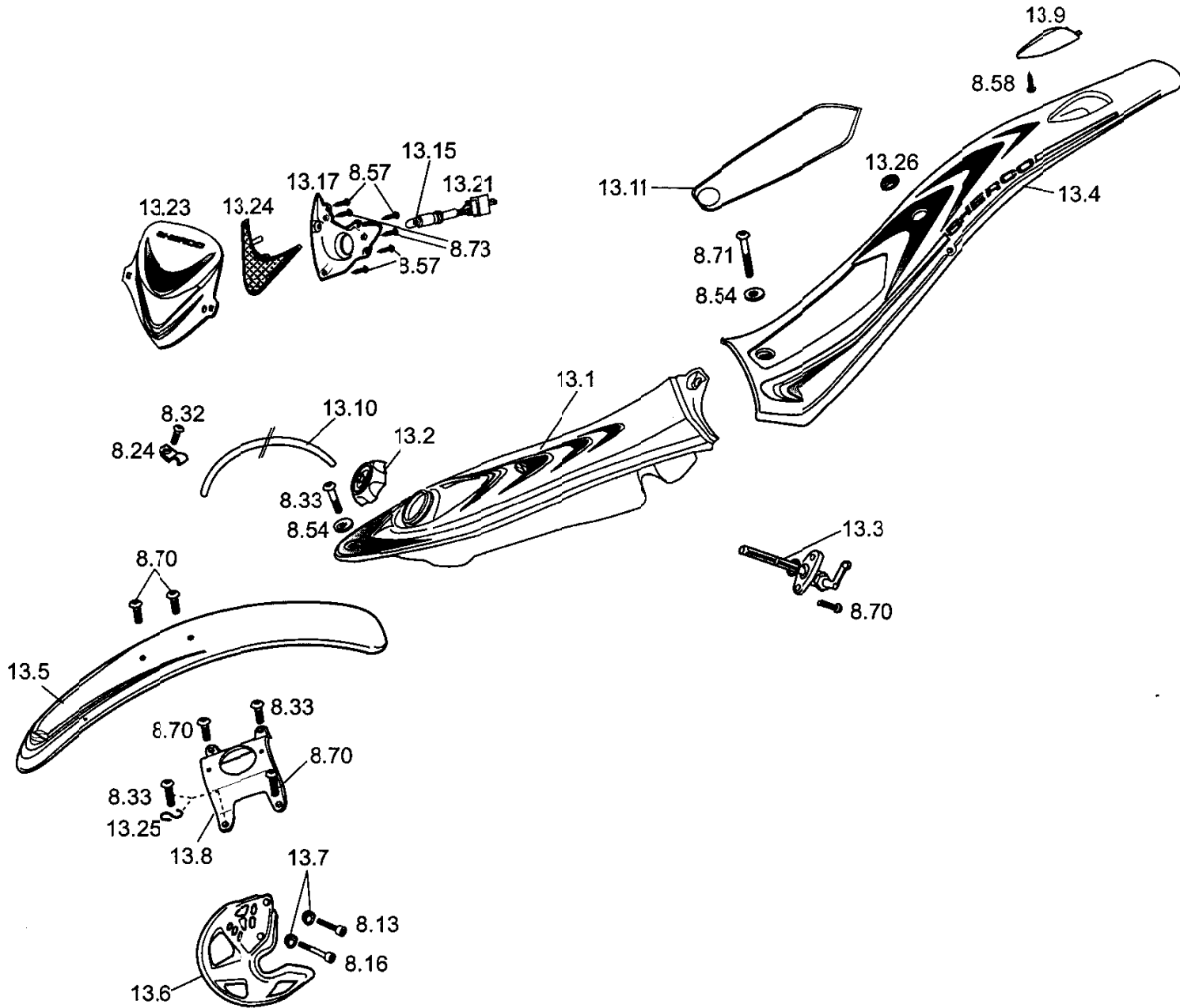
PAG	REFERENCIAS			ESPAÑOL	ENGLAIS	FRANCAIS
	21	20	215			
9.1			M290	ESPARRAGO CULATA 6X38	STUD CYLINDER HEAD 6x38	GOUJON DE CULASSE 6x38
9.2			M291	ESPARRAGO CILINDRO 8X46	STUD CYLINDER 8x46	GOUJON DE CILYNDRE 8x46
9.3			M293	TUERCA CUBO EMBRAGUE M16X125	HEX NUT CLUTCH M16x125	ECROU NOYAU EMB M16x125
9.4			M295	TUERCA 14X125	HEX NUT M14x125	ECROU 14x125
9.5			M296	TORNILLO MOTOR	FRONT PIN ENGINE	AXE MOTEUR AV

GRUPO 12



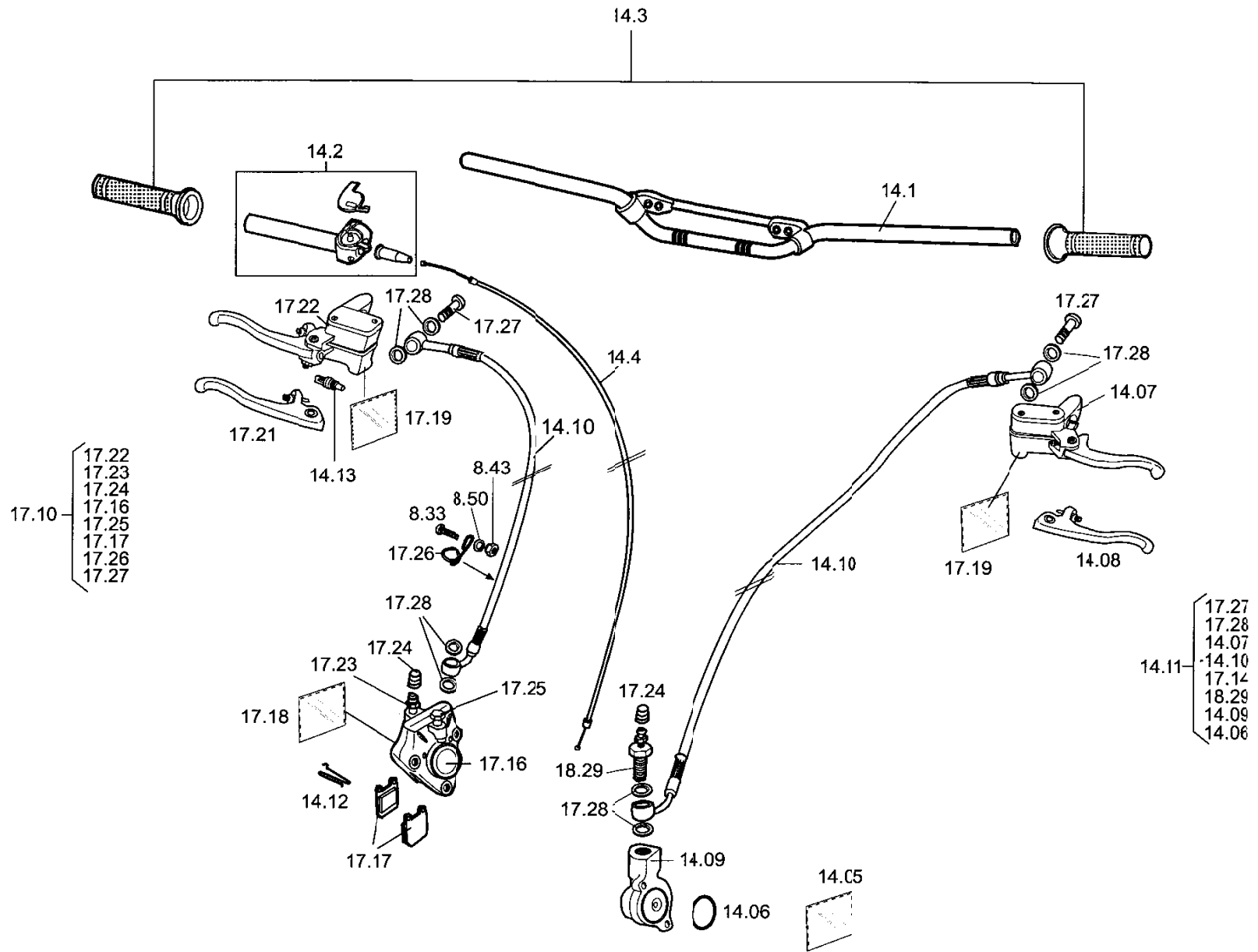


GRUPO 13



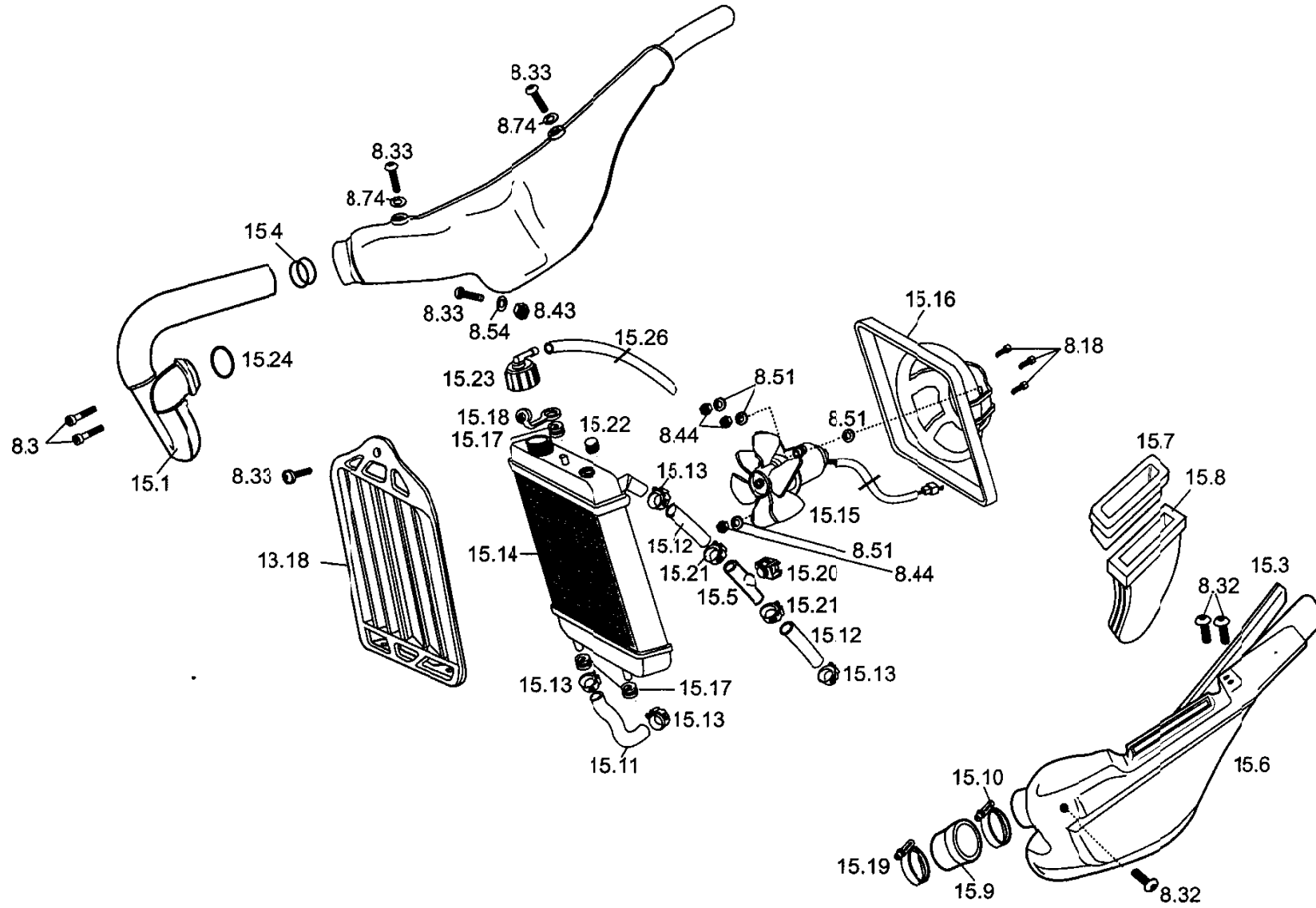


GRUPO 14





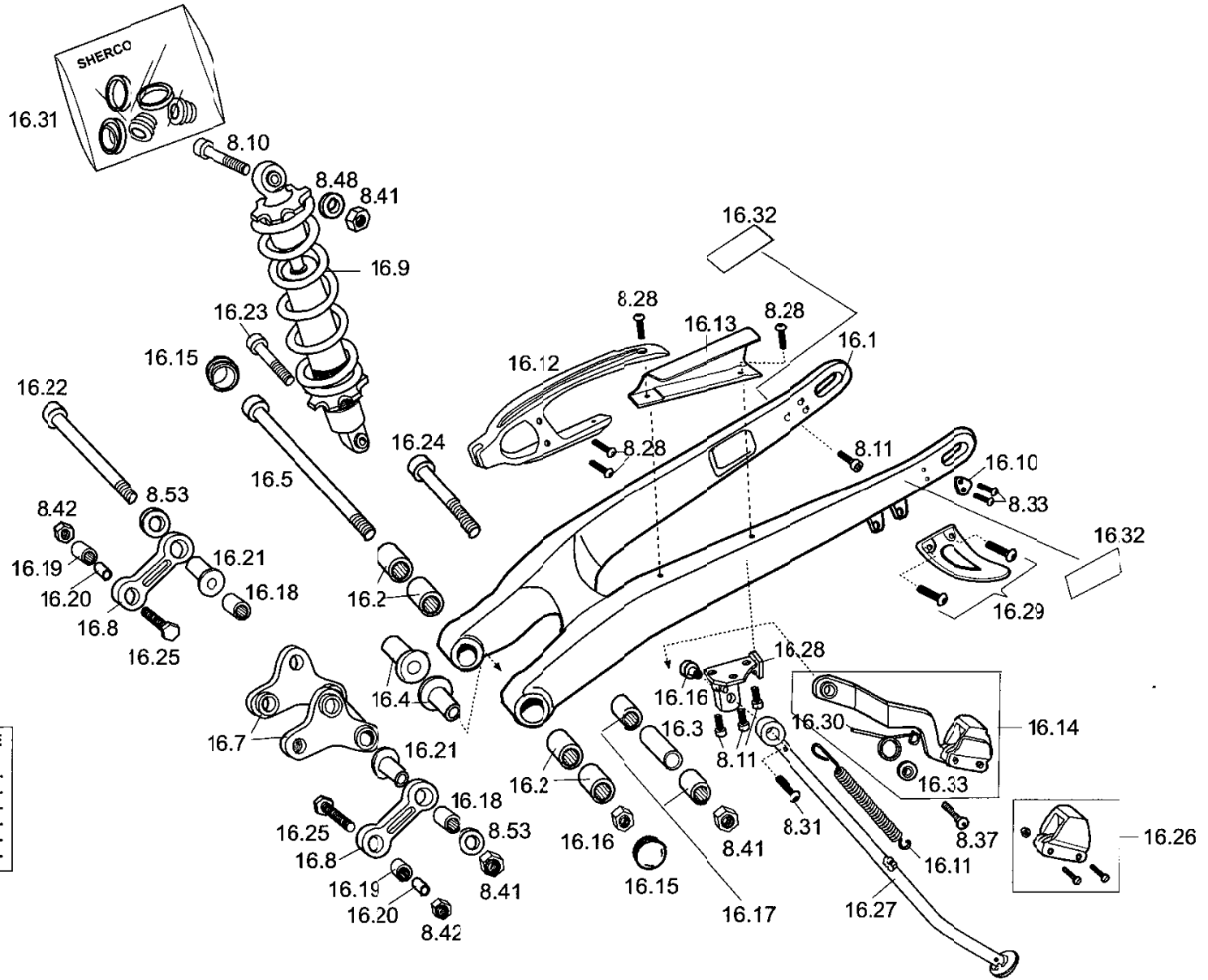
GRUPO 15





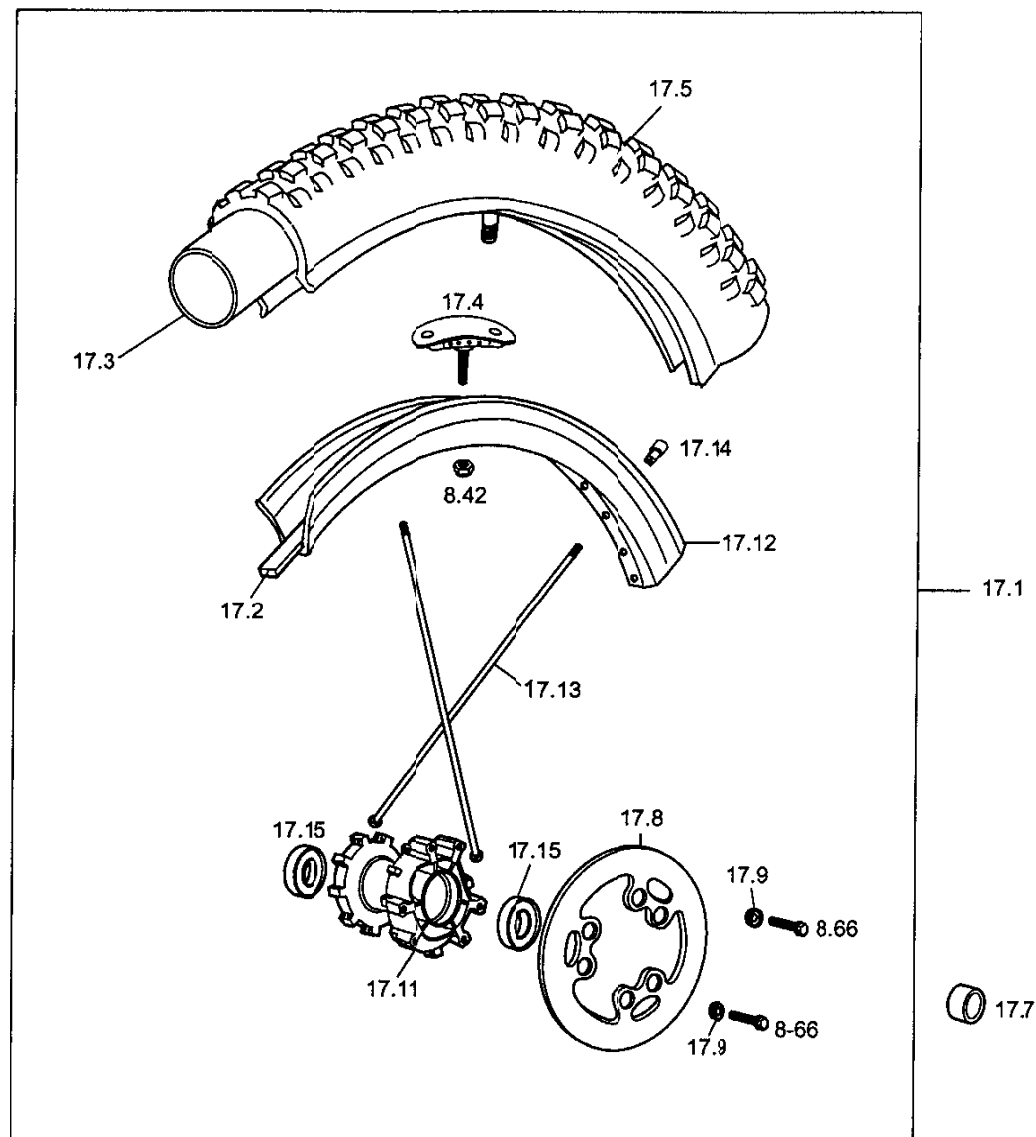
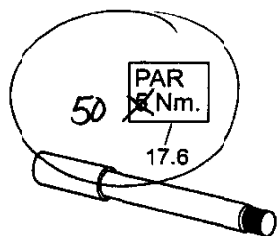


GRUPO 16



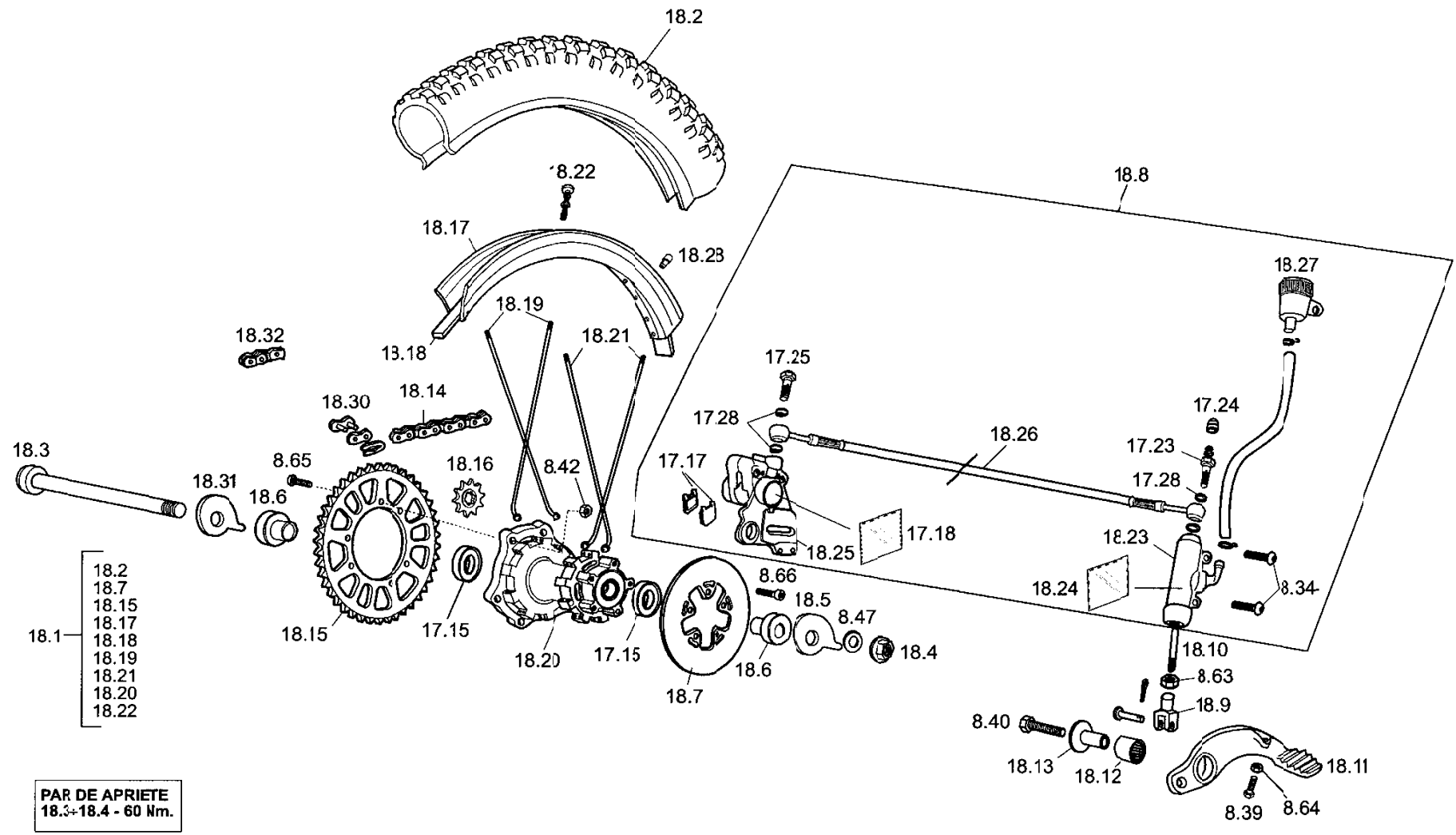
REFERENCIAS					ESPAÑOL	ENGLISH	FRANÇAIS
POS.	1.2	2.0	2.5	2.9			
16.1				C150	BASCULANTE	SWINGARM	BRAS OSCILLANT
16.2				C151	CASQUILLO AGUJAS BASCULANTE HK2020/RS	BEARING HK 20x20x2RS	DOUILLE AIGUILLE BRAS HK 20x20x2RS
16.3				C152	SEPARADOR SUSPENSION	SPACER SUSPENSION	ENTRETOISE SUSPENSION
16.4				C153	CASQUILLO EJE BASCULANTE	SPACER SWINGARM	ENTRETOISE ARTICULATION BRAS
16.5				C154	EJE BASCULANTE ALUMINIO	ALUMINIUM SWINGARM AXLE	AXE BRAS OSCILLANT
16.6				C155	TUERCA EJE BASCULANTE	ALUMINIUM SWINGARM BOLT	ECROU BRAS OSCILLANT
16.7				C156	TRAPECIO SUSPENSION	REAR SUSPENSION DELTA LINK	BIELETTE DELTA
16.8				C157	BIELA SUSPENSION	REAR SUSPENSION LINK	BIELETTE TIRANT SIMPLE
16.9				C268	AMORTIGUADOR	REAR SHOCK	AMORTISSEUR
16.10				C159	TOPE DE EXCENTRICAS	SNAIL CAM STOP	BUTEE POUR EXANTRIQUE
16.11				C161	MUELLE CABALLETE	SIDE STAND SPRING	RESSORT DE BEQUILLE
16.12				C162	PATIN CADENA	CHAIN GUIDE PLATE	PATIN DE CHAINE
16.13				C163	CUBRECADENAS	CHAIN PROTECTOR	CARTER DE CHAINE
16.14				C164	SENSOR CADENA COMPLETO MUELLE + CASQUILLO	CHAIN TENSIONER	TENDEUR DE CHAINE CPL
16.15				C165	TAPON EJE BASCULANTE	COVER SWING ARM AXLE	BOUCHON AXE BRAS OSCILLANT
16.16				C166	TORNILLO ESPECIAL CABALLETE	SIDE STAND SPECIAL BOLT	VIS SPECIALE BEQUILLE
16.17				C167	CASQUILLO AGUJAS BASCULANTE HK16202RS	BEARING HK16202RS	DOUILLE AIGUILLE BRAS SUSP HK16202 RS
16.18				C168	CASQUILLO AGUJAS BIELETA SUSP. HK16162RS	LINKAGE BEARING	DOUILLE AIGUILLE TIRANT HK 16162RS
16.19				C169	CASQUILLO AGUJAS BIELETA SUSP. HK14162RS	BEARING HK14162RS	DOUILLE AIGUILLE TIRANT HK14162RS
16.20				C170	CASQUILLO BIELETA	LINK SPACER	ENTRETOISE TIRANT
16.21				C171	CASQUILLO BIELETA CON ARANDELA	LINK SPACER	ENTRETOISE TIRANT EPAULEE
16.22				C172	EJE 10X120	PIN 10x120	AXE 10x120
16.23				C173	EJE 10X42	PIN 10x42	AXE 10x42
16.24				C174	EJE 10X72	PIN 10x72	AXE 10x72
16.25				C175	TORNILLO HEXAGONAL CABEZA REBAJADA	SPECIAL HEAD SCREW HEX	VIS HEXA TETE BASSE
16.26				R047	GOMA SENSOR CADENA	CHAIN STRETCHER PLATE	CAOUTCHOUC TENDEUR SEUL
16.27				S131	CABALLETE	LATERAL STAND	BEQUILLE SEULE
16.28				S132	SOPORTE CABALLETE	STAND HOLDER	SUPPORT DE BEQUILLE
16.29				C177	PROTECTOR CORONA	PROTECTEUR SPROKET	PROTECTEUR COURRONE
16.30				R205	MUELLE TENSOR	CHAIN TENSIONER SPRING	RESSORT TENDEUR DE CHAINE
16.31				R217	KIT ROTULA AMORTIGUADOR	KIT REAR SHOCK	KIT ROTULE AMORTISEUR
16.32	C146	C142	C182	C138	JUOGO ADHESIVO BASCULANTE	SWINGARM 2.9 STICKER SET 2001	ADESIF 2.9 BAS PAIRE 2001
16.33				R206	CASQUILLO TENSOR CADENA	SPACER CHAIN ADJUST	ENTRETOISE TENDEUR DE CHAINE

GRUPO 17



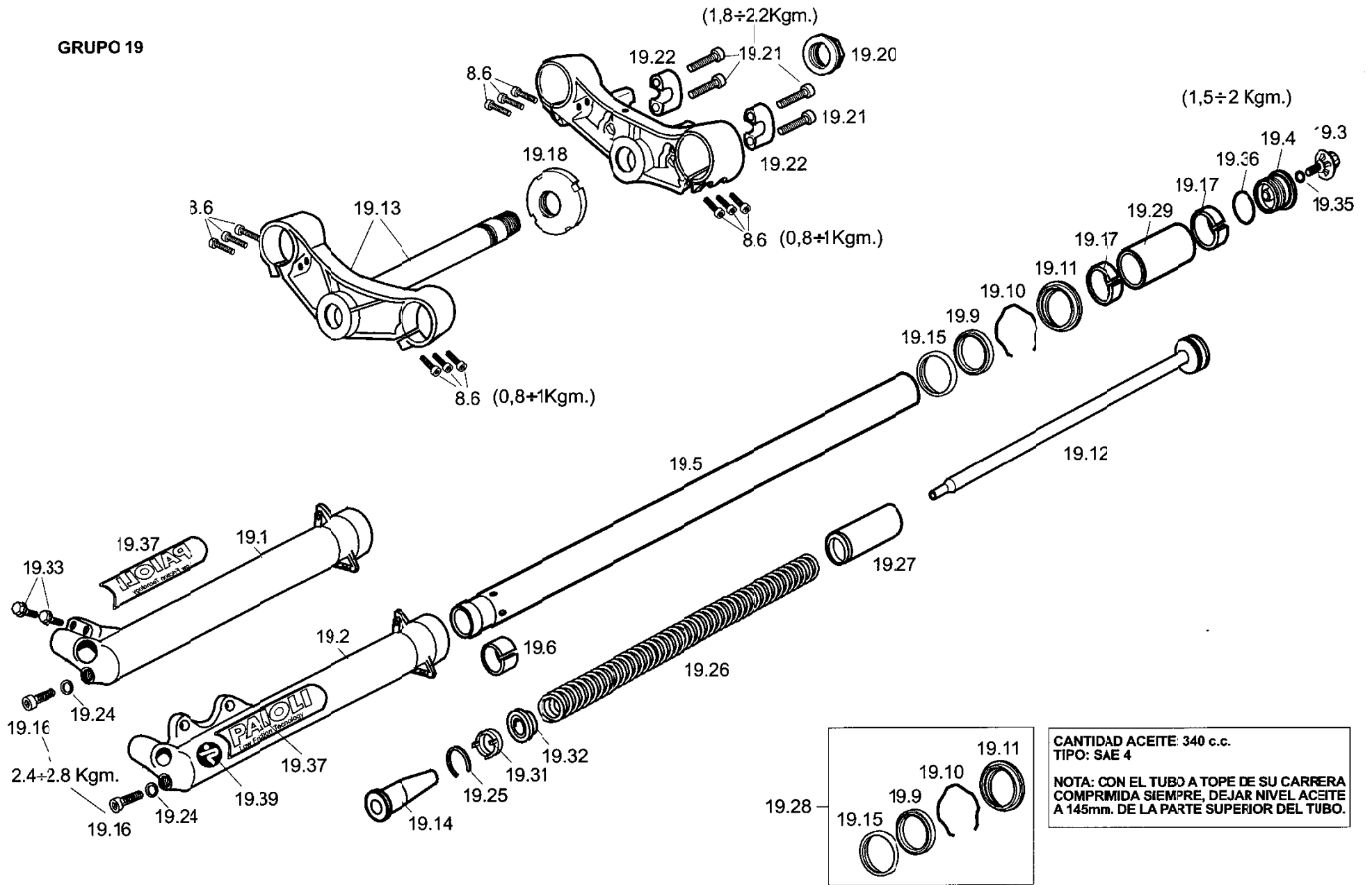


**GRUPO 18**





**GRUPO 19**



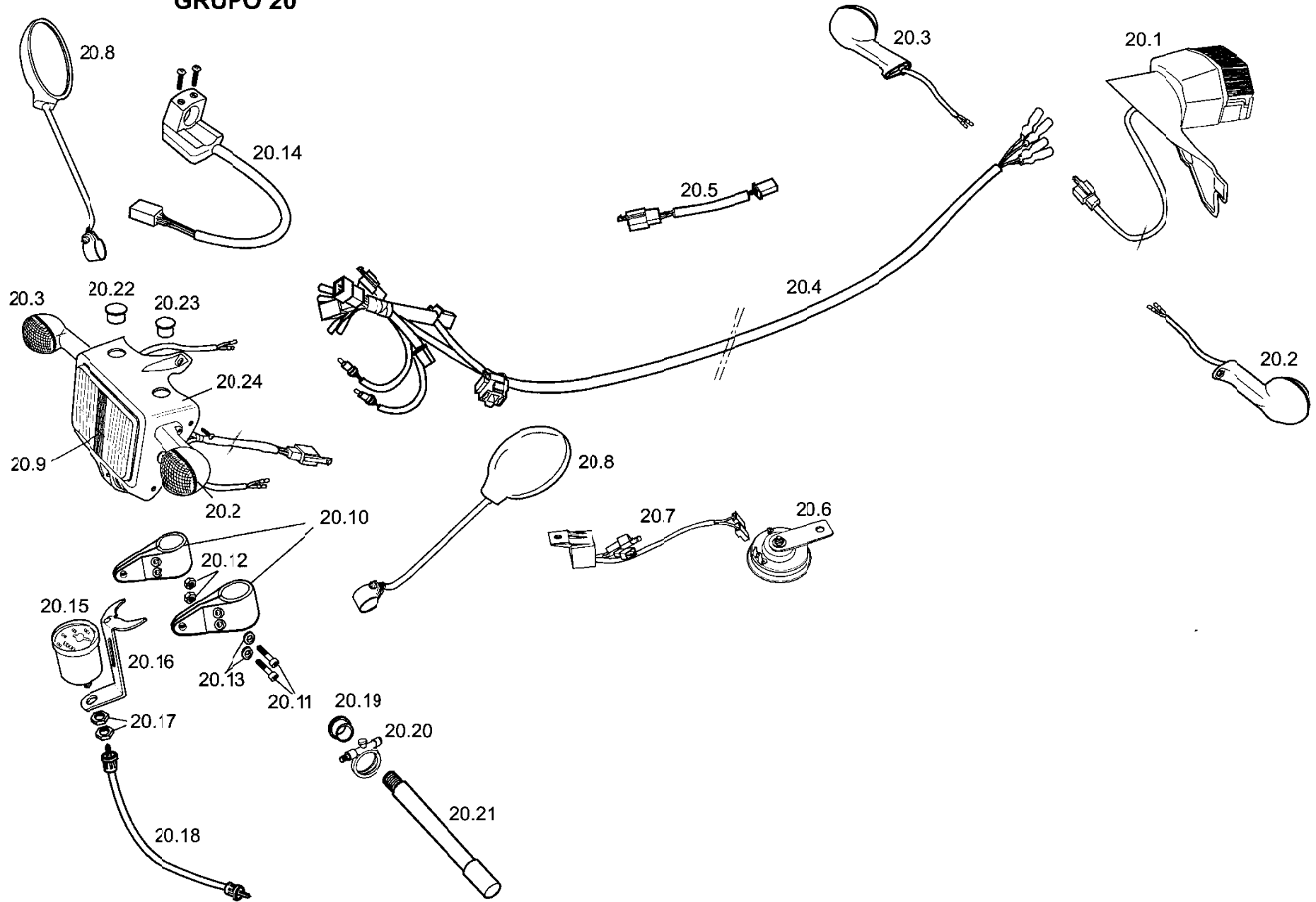
CANTIDAD ACEITE: 340 c.c.  
 TIPO: SAE 4

NOTA: CON EL TUBO A TOPE DE SU CARRERA  
 COMPRIMIDA SIEMPRE, DEJAR NIVEL ACEITE  
 A 145mm. DE LA PARTE SUPERIOR DEL TUBO.





# GRUPO 20







*sherco-moto.com*